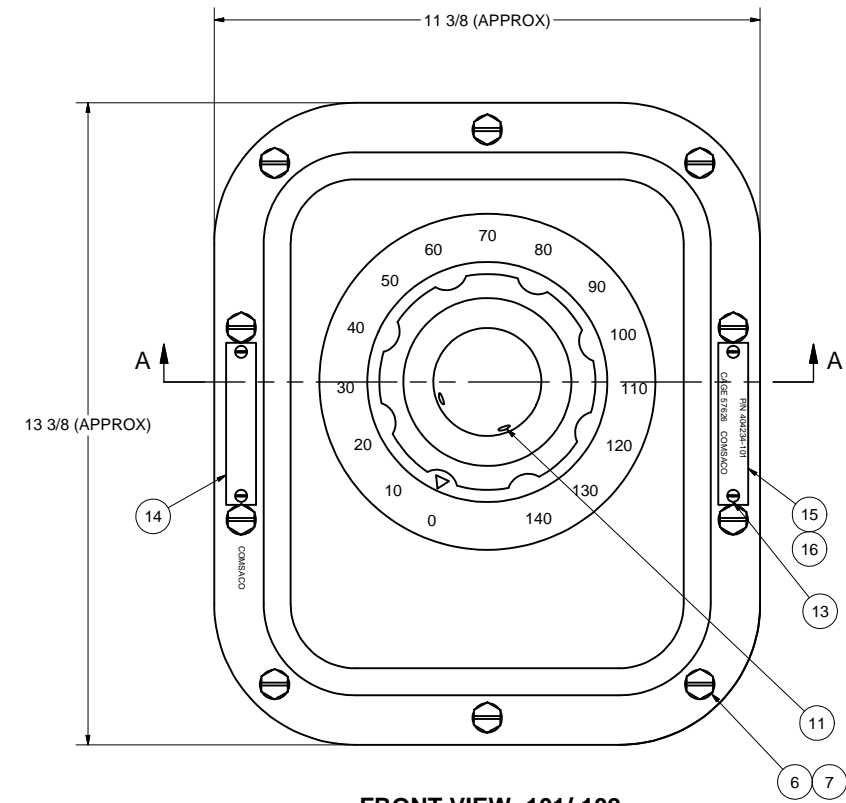
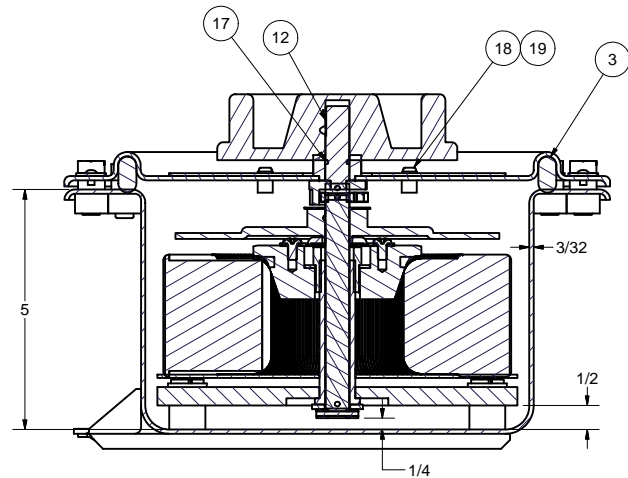


P/N 404234-XXX  
CAGE 57626 COMSACO

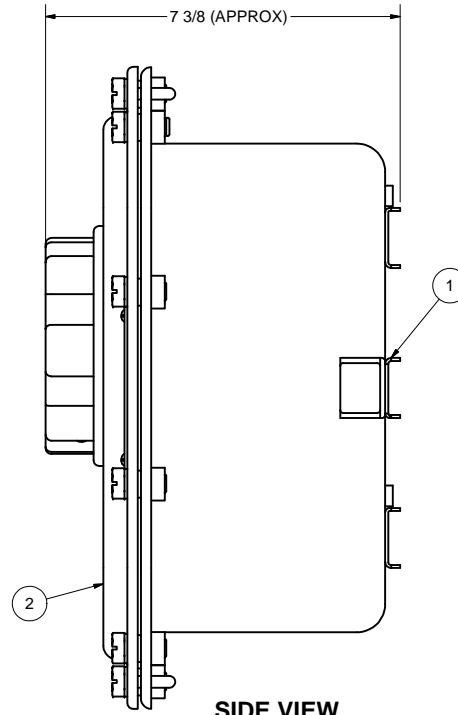
ITEM 15 (-101) ITEM 16 (-102)  
ITEM 23 (-103)



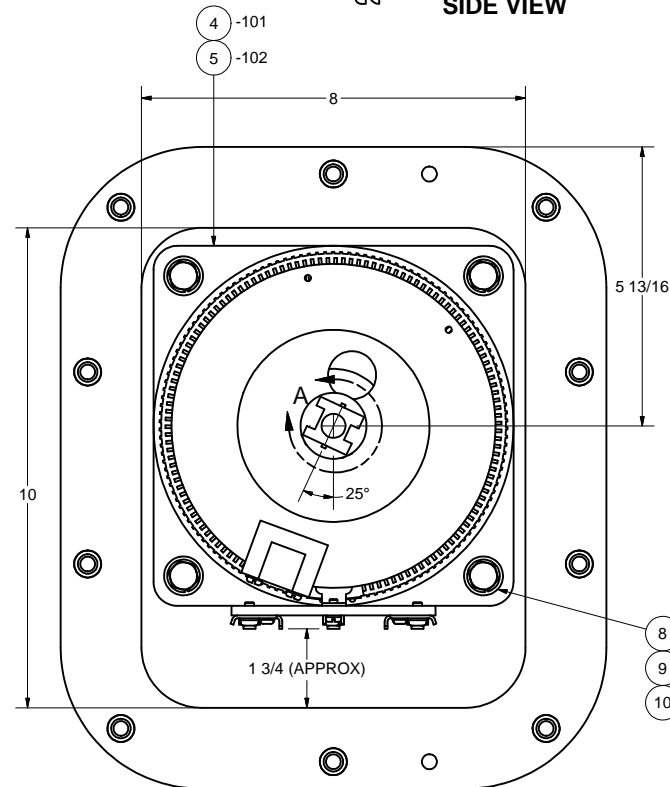
FRONT VIEW -101/-102



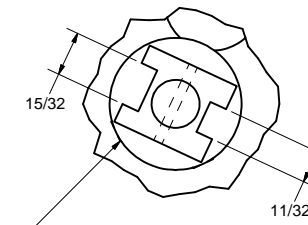
SECTION A-A



SIDE VIEW



FRONT VIEW LESS COVER -101/102



(2) AUTOTRANSFORMER SHAFT SET SCREWS,  
ADJUST SHAFT AS NEEDED TO ALIGN HANDLE  
POINTER TO STOP AT ZERO ON DIAL PLATE.

DETAIL A

		REVISIONS		
ZONE	REV	DESCRIPTION	DATE	AUTH
2A	A	ADDED: ITEMS 18 & 19. CHANGED: ITEM 10 WAS 3/4" LG, ITEM 14 QTY WAS 8. ECO: 1376	12/15/08	AW
1B	B	REVISED: ITEM 19 WAS X-FLW-CRES-6. AUTH: DESIGN REQUIREMENTS.	2/4/09	AW
8A	C	REVISED: NOTE 1, WAS WATERTIGHT. AUTH: COMSACO QA WATER TEST 3/28/2012.	6/15/12	WW
2B 7B	D	ADDED: P/N 404234 -102, NOTES 5&6. MOVED: SW COUPLER PLATES/PINS TO 300192 DWG. AUTH: MFR REQ.	1/28/13	WW
8A	E	ADDED: NOTE 6.	9/5/13	WW
ALL	F	ADDED: P/N -103, SHT 2, ITEMS 20 THRU 27.	7-1-14	WW

Parts List				
ITEM	QTY -101	QTY -102	QTY -103	DESCRIPTION
1	1	1	-	200739-101 BOX WELDMENT, BRASS, 8X10X5
2	1	1	-	200741 COVER WELDMENT, BRASS, 8X10 FLAT
3	1	1	1	100146-1 GASKET, COVER, RUBBER
4	1	-	-	300192-101 AUTOTRANSFORMER, W20, ROATARY, 120VAC, 20A, MODIFIED FOR ENCLOSURE INSTALLATION
5	-	1	-	300192-102 AUTOTRANSFORMER, W20, ROTARY, 120VAC, 20A, MODIFIED FOR SHOCK GRADE "A"
6	10	10	10	74031-5 BOLT, COVER, BRASS, 3/8-16 X 1-1/8
7	10	10	10	AN960B616 WASHER, FLAT, BRASS, 3/8"
8	4	4	-	X-FLW-CRES-375 WASHER, FLAT, CRES, 3/8"
9	4	4	-	X-SLW-CRES-375 WASHER, SPLIT-LOCK, CRES, 3/8"
10	4	4	-	X-BLT-SS-816-1000 BOLT, HEX HD, CRES, 3/8-16 X 1"
11	2	2	-	X-SHS-SS-428-375 SCREW, SET, HEX HD, CRES, 1/4-28 X 3/8"
12	1	1	-	200938 SHAFT WELDMENT, BRASS
13	4	4	4	X-RHM-SS-632-250 SCREW, RHM, BRASS, 6-32 X 1/4"
14	1	1	1	100305-1 INFO PLATE, BRASS, BLANK
15	1	-	-	100305-404234-101 ID PLATE, BRASS, ENGRAVED, FOR 404243-101
16	-	1	-	100305-404234-102 ID PLATE, BRASS, ENGRAVED, FOR 404243-102
17	1	1	1	MS28775-012 O-RING GASKET, RUBBER
18	4	4	-	X-RHM-SS-632-313 SCREW, RHM, CRES, 6-32 X 5/16"
19	4	4	-	AN960C6 WASHER, FLAT, CRES, #6
20	-	-	1	201230 BOX WELDMENT, BRASS, 8X10X5
21	-	-	1	201231 COVER WELDMENT, BRASS, 8X10 FLAT
22	-	-	1	300227-101 AUTOTRANSFORMER, 136BU, ROTARY, 120VAC, 20A, MODIFIED FOR SHOCK GRADE "A"
23	-	-	1	100305-404234-103 ID PLATE, BRASS, ENGRAVED, FOR 404234-103
24	-	-	4	X-NUT-BRS-38-16-HVY NUT, BRASS, 3/8-16 X 11/16" WIDE X 23/64" HEIGHT
25	-	-	4	X-ILW-PHB-375 WASHER, INT TOOTH, PHOS-BRZ, 3/8"
26	-	-	1	200938-101 SHAFT WELDMENT, BRASS, W/TAPPED 1/4-28 HOLE
27	-	-	1	X-BLTS-CRES-0428-875 SCREW, SOCKET HD CAP, CRES, 1/4-28 X 7/8"

- NOTES:
- DEGREE OF ENCLOSURE: SUBMERSIBLE 15 FEET PER MIL-STD-108E.
  - ENCLOSURE DEVELOPED FROM MIL-E-24142/6G AND NMP CORP. DWG 10972B.
  - TOTAL WEIGHT: 38LBS.
  - ROTARY ADJUSTABLE AUTOTRANSFORMER (ITEMS 4 & 22) RATINGS: 120VAC, 20A, 60HZ, SINGLE PHASE, 0-140VAC OUTPUT, OPEN CONSTRUCTION.
  - PART NUMBERS 404234-101 AND -102 ARE IDENTICAL EXCEPT -102 HAS A MODIFIED TRANSFORMER FOR SHOCK GRADE "A" APPLICATIONS. P/N -103 HAS SIMILAR TRANSFORMER INSTALLED WITH SAME WEIGHT AND FUNCTION.
  - ELECTRICAL INTERFACE CONNECTIONS MADE THROUGH 10-32 SCREWS PROVIDED ON TRANSFORMER FRONT PLATES.
  - ENVIRONMENTAL REQUIREMENTS PER BIW PURCHASE ORDER 00507AIQQT, DATED 3/27/2012, FOR BIW ITEM 29394-016.
    - P/N 404234-102 HAS MET THE GRADE A, CLASS I, TYPE A, HULL MOUNTED LIGHT WEIGHT SHOCK REQUIREMENTS PER RETLIF TESTING LAB REPORT R-14479 REV A, 01APR2013 AND APPROVED BY SUPSHIP BATH LTR SER 252A/1490, 08AUG2013.
    - P/N 404234-102 HAS MET VIBRATION TYPE I QUALIFICATION REQUIREMENTS OF MIL-STD-167-1 (4-15HZ) PER RETLIF TESTING LAB REPORT R-14479 REV A, 01APR2013 AND APPROVED BY BIW VIDM 19217, 02MAY2013.
    - ANY CHANGES TO THIS DRAWING OR LOWER TIER DRAWING REQUIRES REVIEW AND APPROVAL TO MAINTAIN VIBRATION AND SHOCK CERTIFICATION.

THIS DRAWING/DOCUMENT CONTAINS INFORMATION WHICH IS PROPRIETARY TO AND PROPERTY OF COMSACO, INC. IT IS DISTRIBUTED WITH THE UNDERSTANDING THAT IT WILL BE RETAINED IN CONFIDENCE AND WILL NEITHER BE DUPLICATED NOR COPIED IN WHOLE OR IN PART NOR USED FOR ANY PURPOSE OTHER THAN THAT FOR WHICH DISCLOSED WITHOUT EXPRESS WRITTEN PERMISSION FROM COMSACO, INC.

DRAWN  
CHRIS WINDLEY 11/7/2008  
CHECKED  
A WESTHOFF 12/3/2008  
QA

MFG  
APPROVED

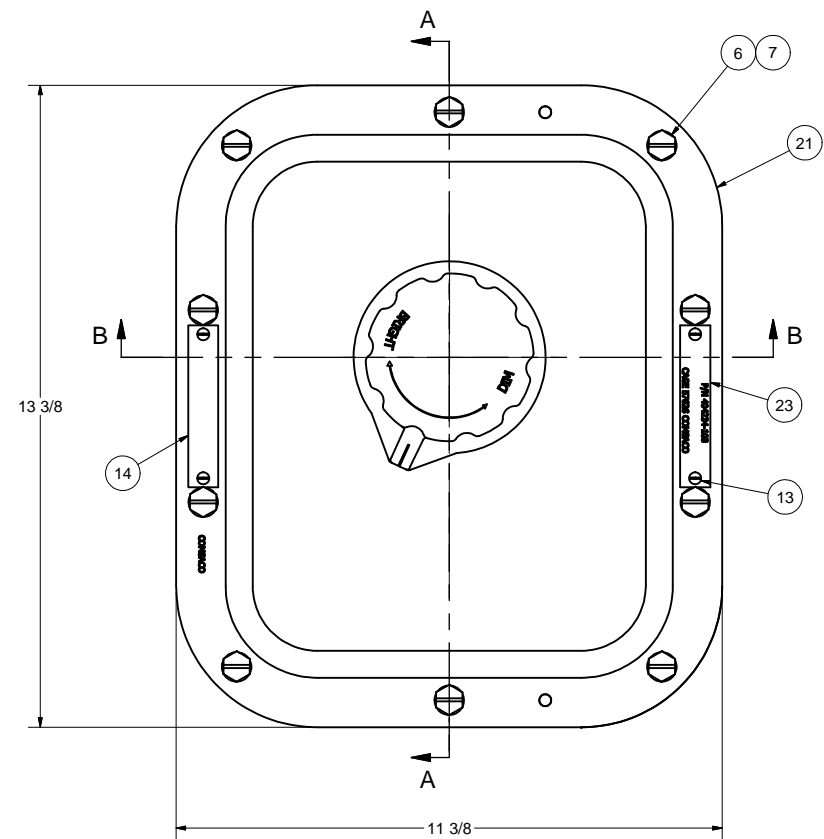
**COMSACO, INC.**  
NORFOLK, VA. 23502

TITLE  
**DIMMER ASSY, BRASS, SBM,  
AUTOTRANSFORMER, 140V OUTPUT**

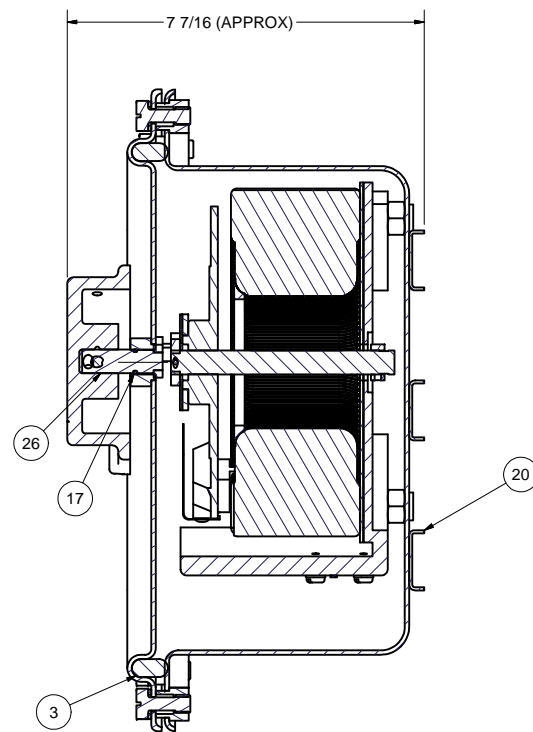
SIZE CODE IDENT NO DWG NO REV  
D 57626 404234 F

NEXT ASSY USED ON

SCALE SHEET 1 OF 2

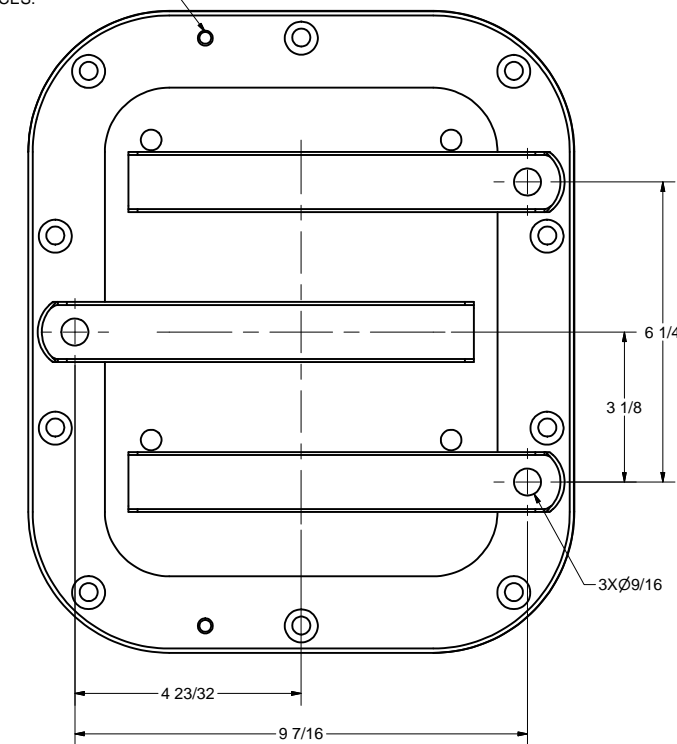


FRONT VIEW 404234-103  
(SHOWN AT 0 VOLTS)

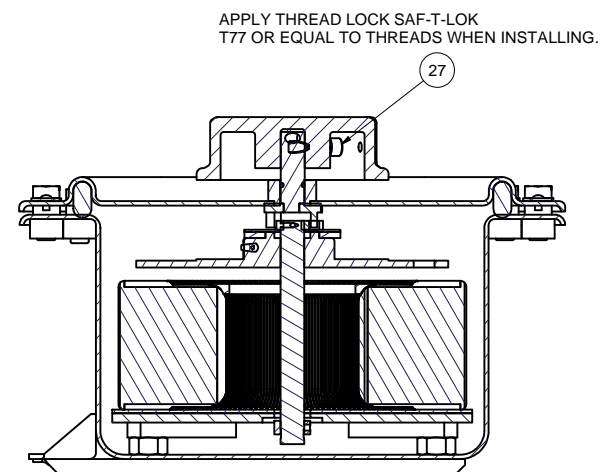


SECTION A-A

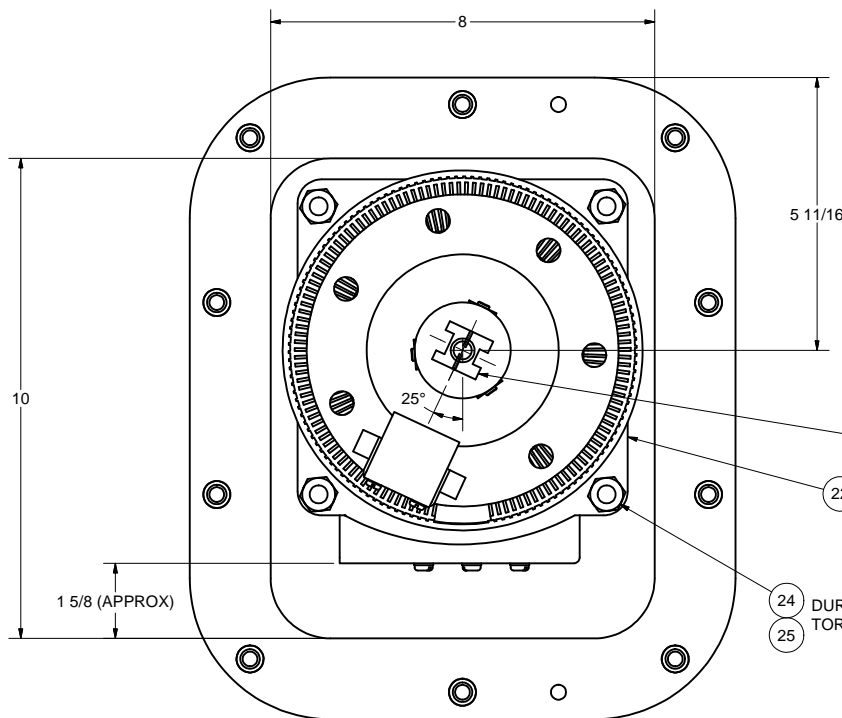
COVER POSITIONING PIN,  
2 PLACES.



BACK VIEW MTG (TYP)



SECTION B-B



FRONT VIEW LESS COVER -103

AJUST SHAFT AS NEEDED TO ALIGN HANDLE  
FULL COUNTER CLOCKWISE TO STOP AT 0 VOLTS.

24 DURING FINAL INSTALLATION  
TORQUE TO 16FT/LBS.  
25

THIS DRAWING/DOCUMENT CONTAINS INFORMATION WHICH IS PROPRIETARY TO AND PROPERTY OF COMSACO, INC. IT IS DISTRIBUTED WITH THE UNDERSTANDING THAT IT WILL BE RETAINED IN CONFIDENCE AND WILL NEITHER BE DUPLICATED NOR COPIED IN WHOLE OR IN PART NOR USED FOR ANY PURPOSE OTHER THAN THAT FOR WHICH DISCLOSED WITHOUT EXPRESS WRITTEN PERMISSION FROM COMSACO, INC.

DRAWN	CHRIS WINDLEY	11/7/2008
CHECKED	A WESTHOFF	12/3/2008
QA		
MFG		
APPROVED		

**COMSACO, INC.**  
NORFOLK, VA. 23502

TITLE  
**DIMMER ASSY, BRASS, SBM,  
AUTOTRANSFORMER, 140V OUTPUT**

UNLESS OTHERWISE SPECIFIED  
DIMENSIONS ARE IN INCHES  
TOLERANCES ARE:  
FRACTIONS DECIMALS ANGLES  
+/- 1/64 .XX .XXX .005

SIZE	CODE IDENT NO	DWG NO	REV
D	57626	404234	F
SCALE			SHEET 2 OF 2

NEXT ASSY	USED ON