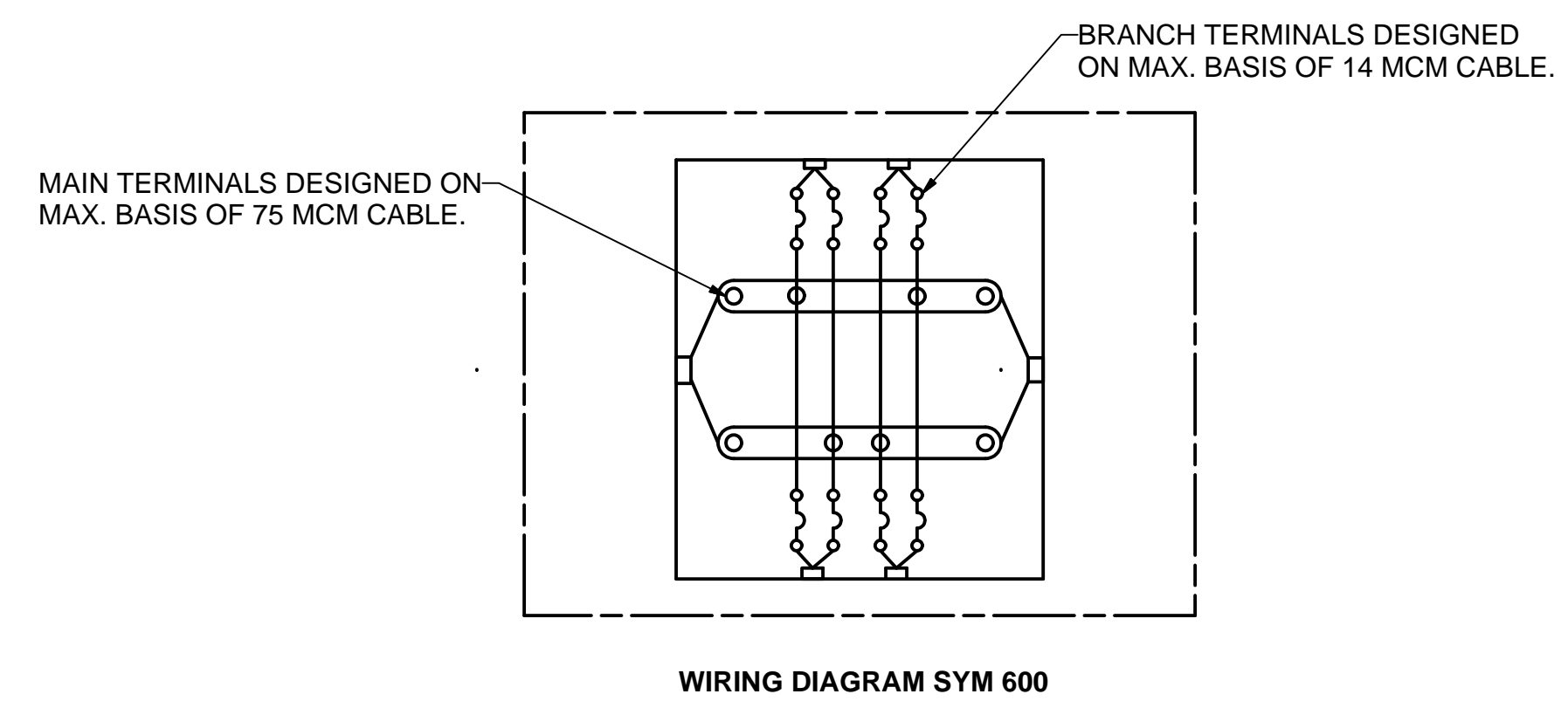
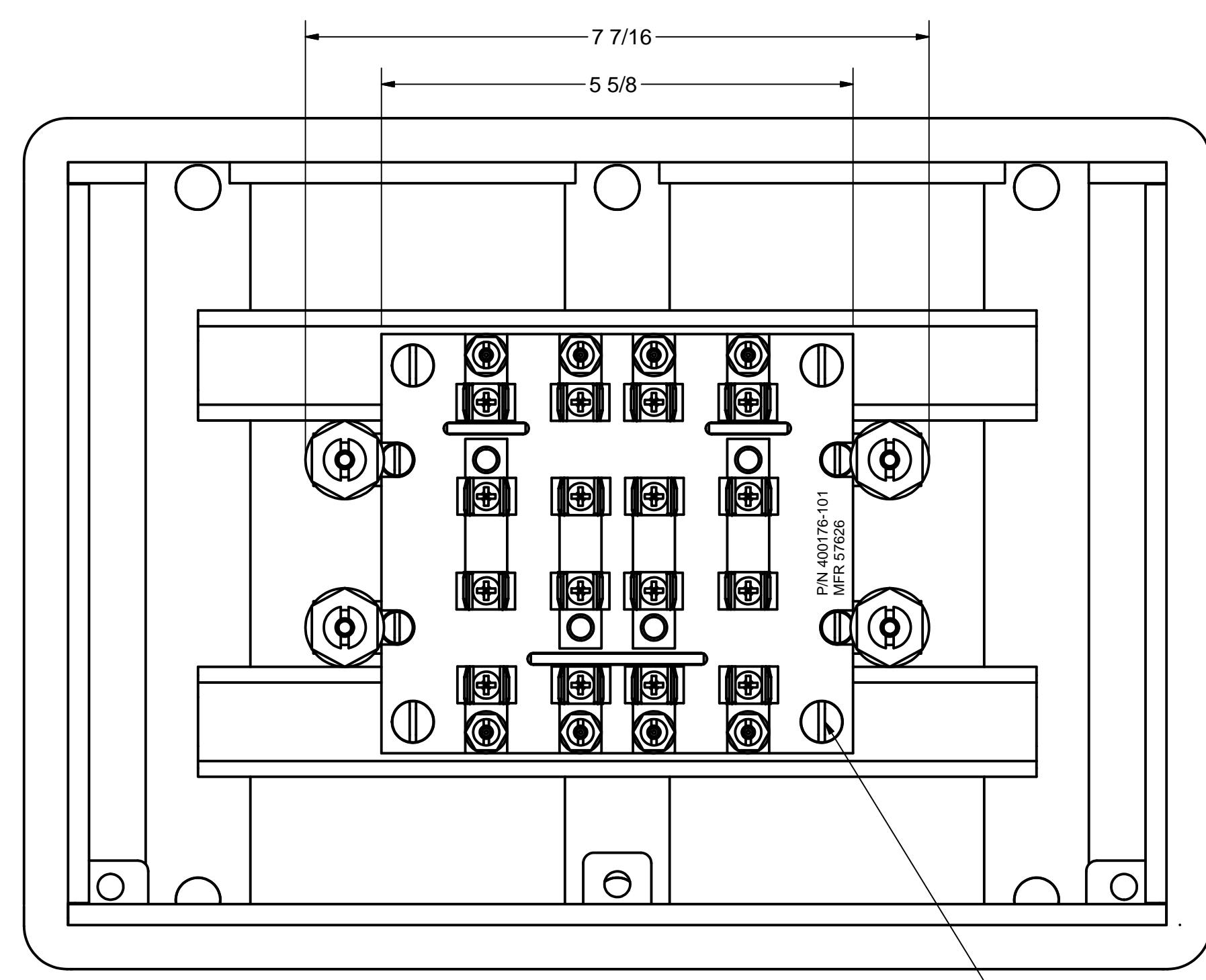
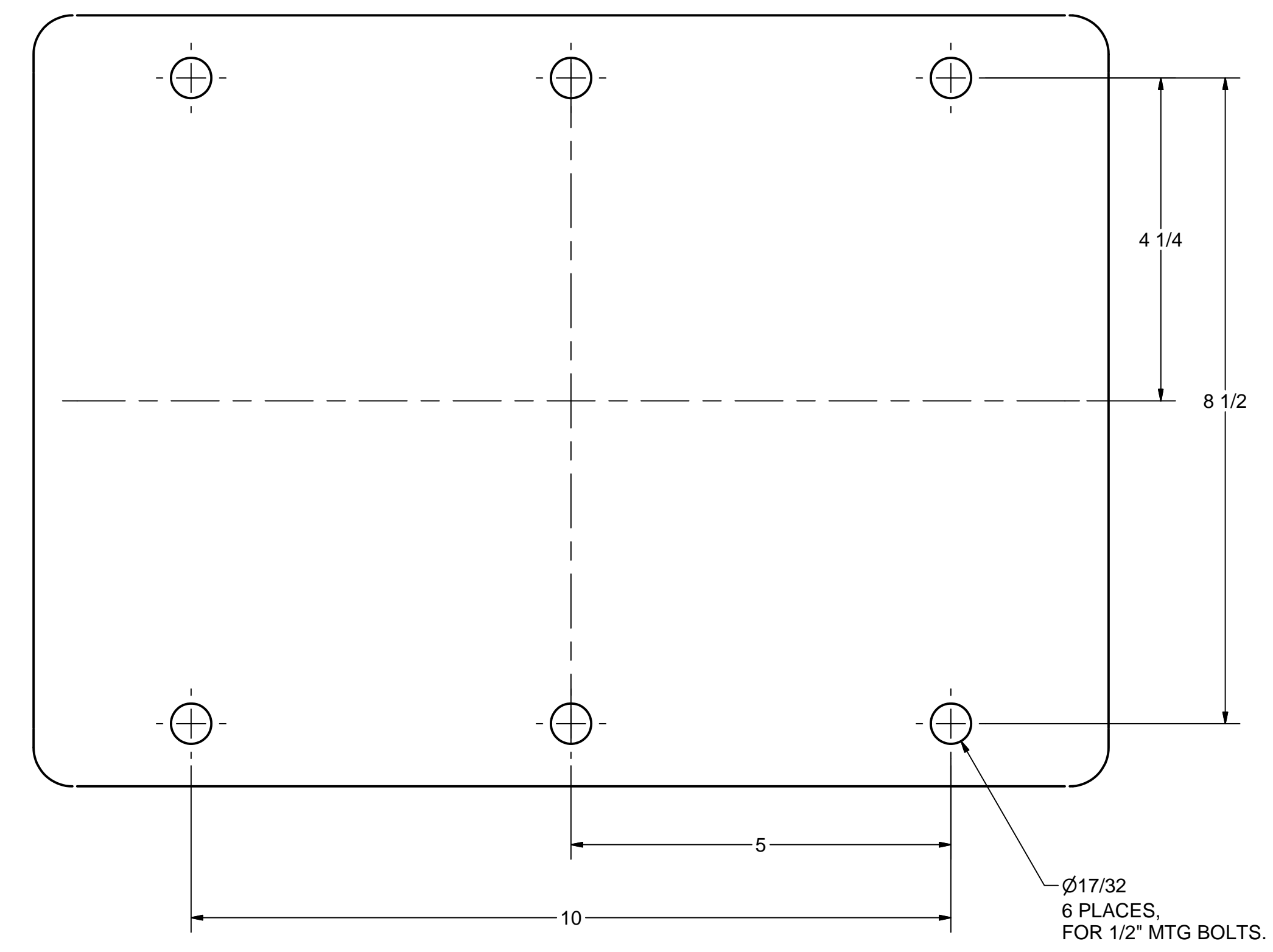
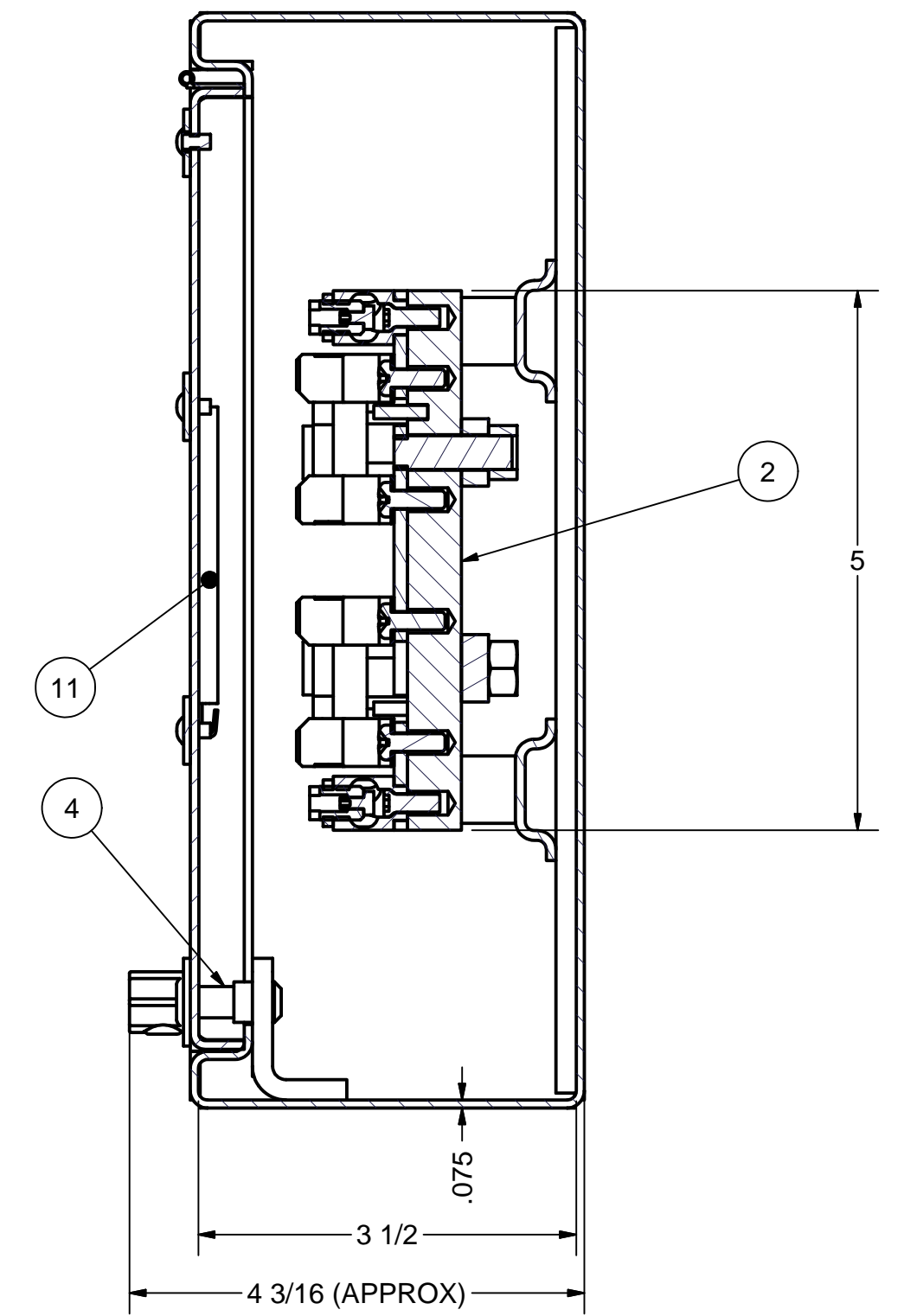
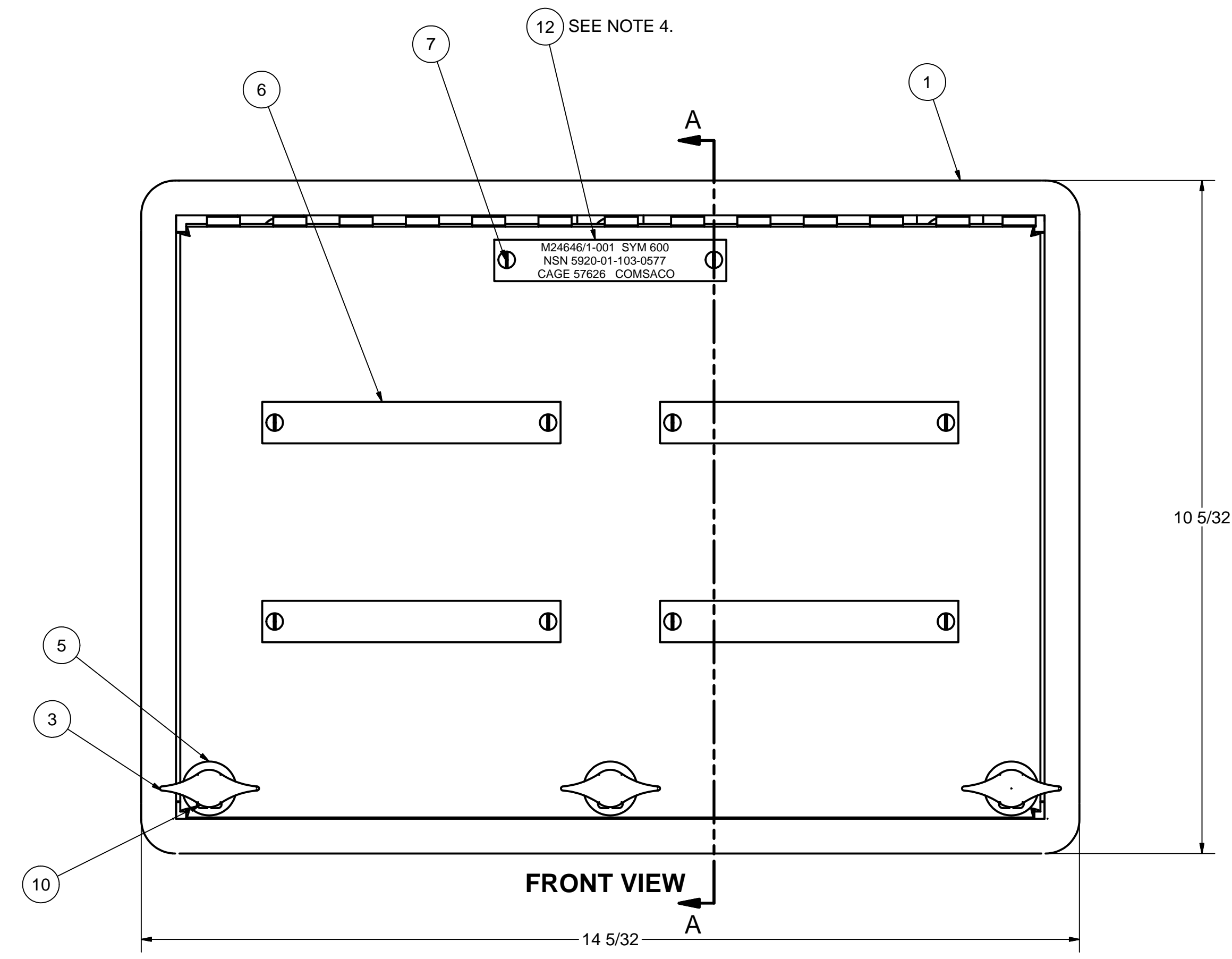


		REVISIONS		
ZONE	REV	DESCRIPTION	DATE	AUTH
ALL	A	ADDED: 404-600-103 P/N. REVISED: DWG INTO CAD FORMAT.	12/8/04	WW
ALL	B	CHANGED: P/N -103 IS NOW SYM 600. DELETED: P/N'S -101 & 102. REVISED: PARTS LIST. AUTH: DESIGN REQUIREMENTS.	9/28/05	WW
1A	C	REVISED: ITEM 10 P/N WAS X-RHM-SS-1024-375. AUTH: DWG ERROR.	9/9/09	AW



- NOTES:
- THIS DRAWING DEVELOPED FROM MIL-F-24646/1A.
 - RATINGS AND SPECIFICATIONS:
4 CIRCUIT, 125VAC, 1 PHASE LINE, 1 PHASE BRANCH, 0-30 AMP MAX.
FEEDER SIZE 75MCM MAX. BRANCH CABLE SIZE 14MCM MAX.
USES FUSE TYPE F07 AND F09 PER MIL-F-15160.
DEGREE OF ENCLOSURE: TE (TOTALLY ENCLOSED)
 - APPROXIMATE WEIGHT IS 20 LBS.
 - NSN MAYBE DIFFERENT BASED ON CUSTOMER'S PURCHASE ORDER.

Parts List			
ITEM	QTY	PART NUMBER	DESCRIPTION
1	1	200167-101	BOX AND COVER WELDMENT, 11GA STEEL
2	1	400176-101	FUSE BASE SUB-ASSY, GPO-N3, RED
3	3	74031-57	HANDLE, COVER, BRASS
4	3	100608	STUD, FUSE COVER, BRASS
5	3	74031-33	WASHER, FLAT, 11/32" ID, BRASS
6	4	74031-26	NAMEPLATE, BRASS, BLANK
7	10	X-RHM-BRS-632-250	SCREW, RHM, BRASS, 6-32 X 1/4"
8	4	X-RHM-SS-0420-075	SCREW, RHM, CRES, 1/4-20 X 3/4"
9	4	X-ILW-CRES-250	WASHER, INTERNAL TOOTH, CRES, 1/4"
10	3	X-RHM-BRS-1024-375	SCREW, RHM, BRASS, 10-24 X 3/8"
11	1	5348-SYM 600WD	WIRING DIAGRAM, LAMINATED PAPER
12	1	100260-600	NAMEPLATE, BRASS, ENGRAVED

DRAWN CHRIS WINDLEY 9/27/2005	<p>COMSACO, INC. NORFOLK, VA. 23502</p> <p>FUSE PANEL, 4CKT, 125VAC, 1 PHASE, SYM 600</p>	REV C
CHECKED A WESTHOFF 2/1/2005		<p>SIZE CODE IDENT NO DWG NO</p> <p>D 57626 404-600</p>
QA		
MFG		
APPROVED		
SCALE		SHEET 1 OF 1

UNLESS OTHERWISE SPECIFIED
DIMENSIONS ARE IN INCHES
TOLERANCES ARE:
FRACTIONS DECIMALS ANGLES
+/- 1/64 .XX .XXX .005

NEXT ASSY	USED ON
-----------	---------