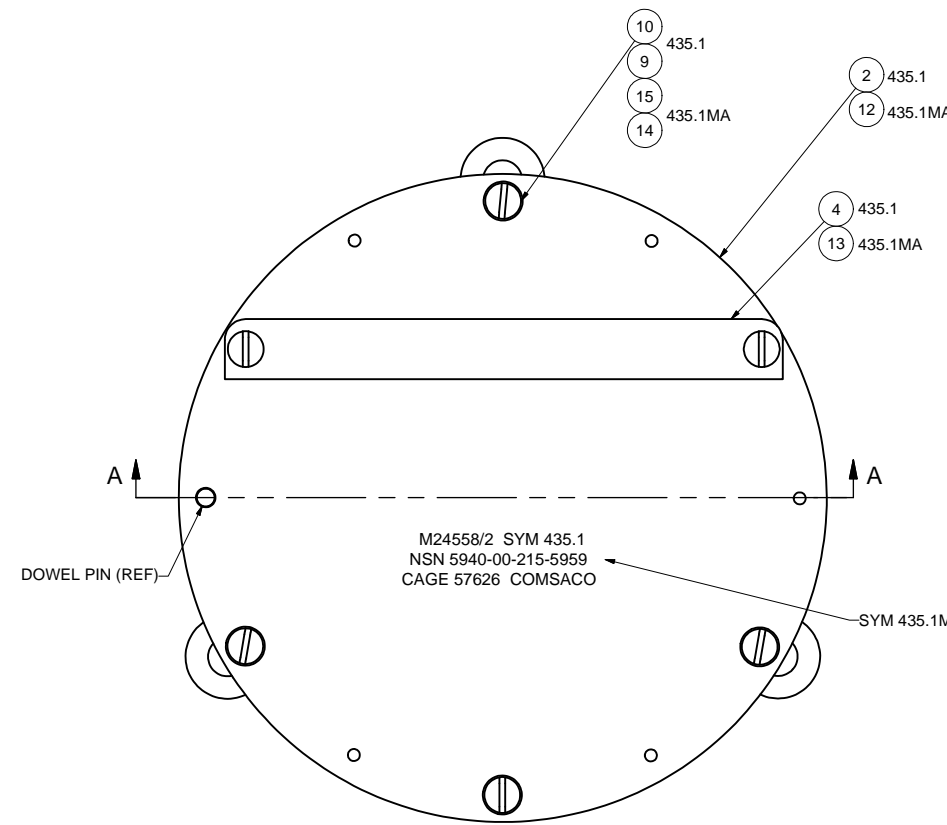
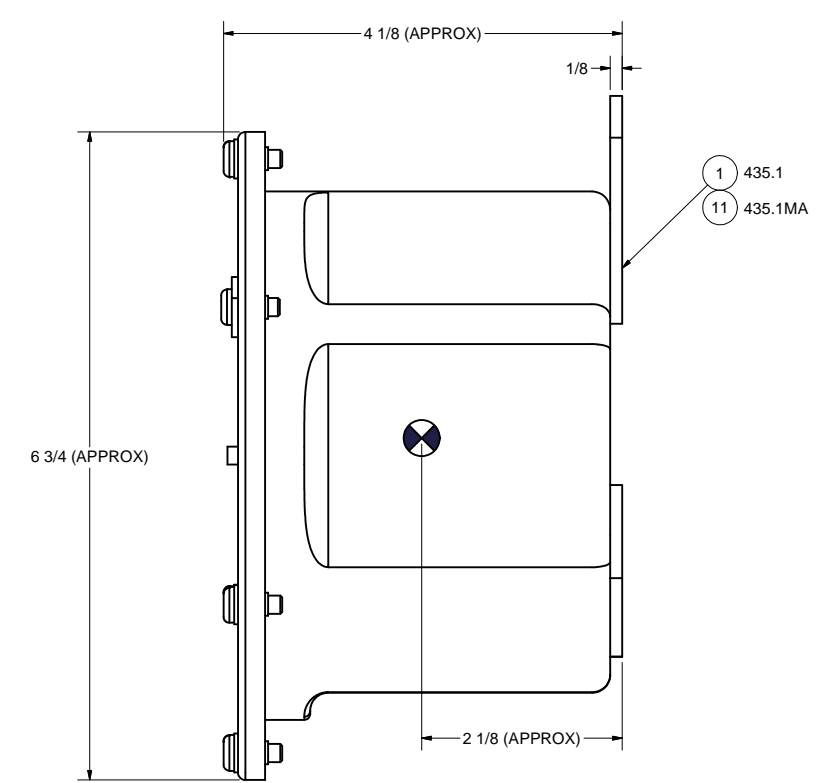


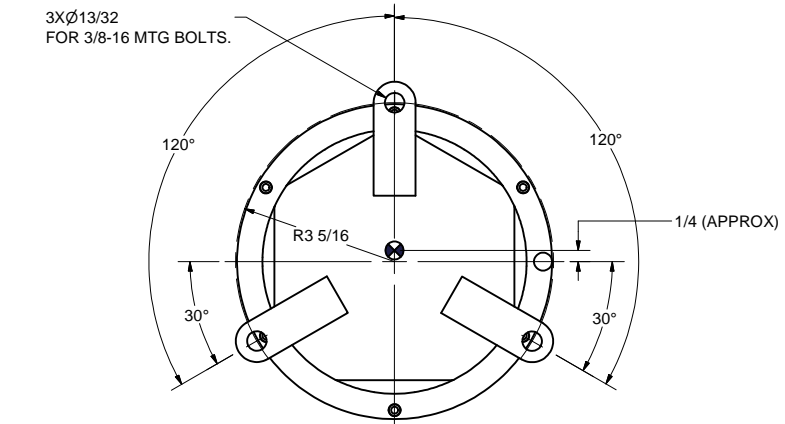
REVISIONS				
ZONE	REV	DESCRIPTION	DATE	AUTH
ALL	A	ADDED: BARREL NUTS TO P/L. CHANGED: COVER WAS P/N 74015-3-435.1. REVISED: DWG INTO CAD FORMAT. AUTH: DESIGN REQUIREMENTS.	2/29/08	WW
ALL	B	ADDED: P/N SYM 435.1MA, ITEMS 11-17 TO PARTS LIST. REVISED: NOTES 1 & 6 WITH SYM 435.1MA INFO. AUTH: MFR REQUIREMENT.	7/25/08	WW
5A	C	ADDED: NOTE 7. AUTH: ADMIN REQ.	4/9/13	WW



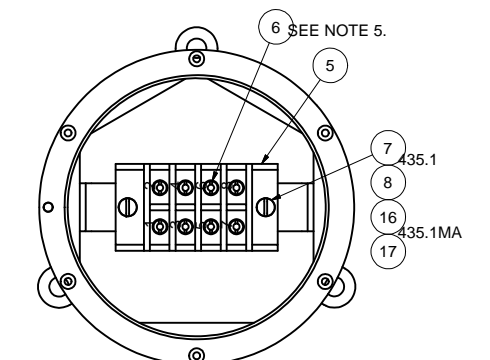
FRONT VIEW



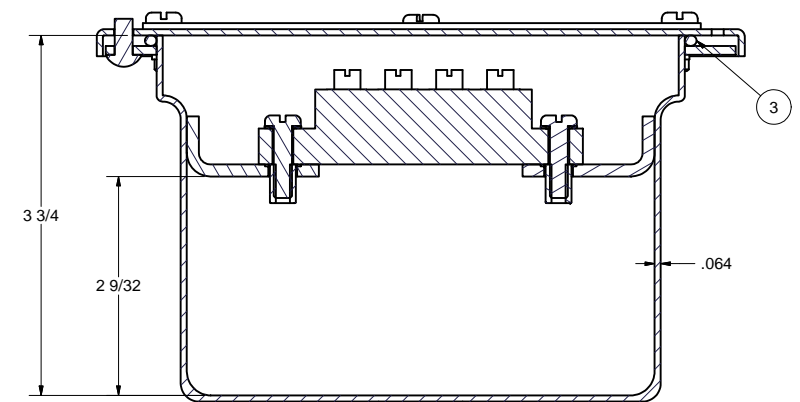
SIDE VIEW



BACK VIEW



FRONT LESS COVER



SECTION A-A

- NOTES:
- THIS DRAWING DEVELOPED FROM MIL-DTL-24558/2A.
 - RATINGS AND SPECIFICATIONS:
 - A) 600 VOLTS, 40 AMPS MAXIMUM PER STUD OF TERMINAL BOARD.
 - B) 8 TERMINALS, 32 WIRES MAX.
 - C) DEGREE OF ENCLOSURE: SUBMERSIBLE TO 15 FEET (SBM-15) PER MIL-STD-108.
 - D) MAGNETIC PERMEABILITY: LESS THAN 2.0 FERROUS MATERIALS: NONE.
 - E) WEIGHT: 4 LBS MAX. FOR SYM 435.1, 2 LBS MAX. FOR SYM 435.1MA.
 - UNLESS OTHERWISE SPECIFIED, CABLE ENTRANCE DEVICES WILL BE PROVIDED AND INSTALLED BY THE INSTALLING ACTIVITY.
 - TERMINAL BOARD IS A MOLDED BARRIER STUD TYPE, CLASS 4TB PER A-A-59125/10, MAXIMUM LUGS PER STUD IS 4. BU-SHIPS TYPE L80. STUDS ARE 8-32.
 - BARREL NUTS FOR TERMINAL BOARDS TO BE PACKAGED SECURELY AND SHIPPED LOOSE INSIDE ENCLOSURE.
 - FINISH: INTERIOR ONLY WITH WHITE ENAMEL. (SYM 435.1) INTERIOR AND EXTERIOR GREY ENAMEL. (SYM 435.1MA)
 - A) P/N 404-435.1MA, BIW CAT# 30008-154, DEPICTED ON THIS DRAWING HAS MET SHOCK QUALIFICATION REQUIREMENTS IN ACCORDANCE WITH PPD 802-7651312. SHOCK QUALIFICATION METHOD: HIGH IMPACT SHOCK TEST SHOCK TEST CATEGORY: LIGHTWEIGHT SHOCK GRADE: A EQUIPMENT TEST/ANALYSIS CLASS: I SHOCK TEST TYPE: A MOUNTING LOCATION(SHIP): HULL MOUNTING PLANE(SHIP): BACK MOUNTING ORIENTATION(SHIP): UNRESTRICTED APPLICABLE SHOCK TEST REPORT: RETLIF TESTING LABORATORIES R-14241 REV -, 12APR2012 APPROVAL LETTER REFERENCE: SUPERVISOR OF SHIPBUILDING, CONVERSION AND REPAIR, USN BATH, 9072 SER 252A/603, 14MAR2013 TEST MOUNTING HARDWARE: (3)3/8-16 GRADE 5 STEEL BOLTS, FLAT WASHERS, SPACERS AND LOCKNUTS PER MIL-DTL-1222J. B) P/N 404-435.1MA, BIW CAT# 30008-154, DEPICTED ON THIS DRAWING HAS MET THE VIBRATION TYPE I QUALIFICATION REQUIREMENTS OF MIL-STD-167-1 (4-15Hz) BY TEST PER RETLIF TESTING LABORATORIES REPORT R-14241, REV -, DATED 12APR2012 AND APPROVED PER BATH IRON WORKS VIDM 16710 DATED 30APR2012. ANY CHANGE TO THIS DRAWING OR LOWER TIER DRAWING REQUIRES REVIEW AND APPROVAL TO MAINTAIN VIBRATION CERTIFICATION.

ASSEMBLY		Parts List		
435.1MA	435.1	ITEM	PART NUMBER	DESCRIPTION
—	1	1	200263	BOX WELDMENT, BRASS, 5" RND, M24142/5-003
—	1	2	300141-2	COVER, 5" RND, BRASS, STAMPED
1	1	3	MS28775-254	*O* RING GASKET, RUBBER
—	1	4	100609	ID PLATE, BRASS, BLANK
1	1	5	4TB8	TERMINAL BOARD, 600V, 40A, 8T
8	8	6	101250-4	BARREL NUT, BRASS, 8-32
—	2	7	X-RHM-BRS-024-750	SCREW, RHM, BRASS, 10-24 X 3/4"
—	2	8	X-ELW-PHB-10	WASHER, EXT TOOTH, PHOS-BRZ, #10
—	4	9	X-FLW-BRS-10	WASHER, FLAT, BRASS, #10
—	6	10	X-RHM-BRS-024-500	SCREW, RHM, BRASS, 10-24 X 1/2"
1	—	11	200263A	BOX WELDMENT, ALUM, 5" RND
1	—	12	300141-2A	COVER WELDMENT, ALUM, 5" RND
1	—	13	100609A	ID PLATE, ALUM, BLANK
6	—	14	X-RHM-SS-024-500	SCREW, RHM, CRES, 10-24 X 1/2"
4	—	15	X-FLW-CRES-10	WASHER, FLAT, CRES, #10
2	—	16	X-ELW-CRES-10	WASHER, EXT TOOTH, CRES, #10
2	—	17	X-RHM-SS-024-750	SCREW, RHM, CRES, 10-24 X 3/4"

THIS DRAWING/DOCUMENT CONTAINS INFORMATION WHICH IS PROPRIETARY TO AND PROPERTY OF COMSACO, INC. IT IS DISTRIBUTED WITH THE UNDERSTANDING THAT IT WILL BE RETAINED IN CONFIDENCE AND WILL NEITHER BE DUPLICATED NOR COPIED IN WHOLE OR IN PART NOR USED FOR ANY PURPOSE OTHER THAN THAT FOR WHICH DISCLOSED WITHOUT EXPRESS WRITTEN PERMISSION FROM COMSACO, INC.

UNLESS OTHERWISE SPECIFIED DIMENSIONS ARE IN INCHES TOLERANCES ARE: FRACTIONS DECIMALS ANGLES +/- 1/64 .XX .XXX .005

REDAWN ORIGINAL
CHRIS WINDLEY 2/28/2008

QA
MFG

APPROVED
W ESTHOFF 3/30/1999

COMSACO, INC.
NORFOLK, VA. 23502

TITLE
**TERMINAL BOX, 8 TERM,
600V, 40A, SBM-15, SYM 435.1**

SIZE CODE IDENT NO DWG NO REV
D 57626 404-435.1 C

SCALE SHEET 1 OF 1

NEXT ASSY	USED ON
-----------	---------