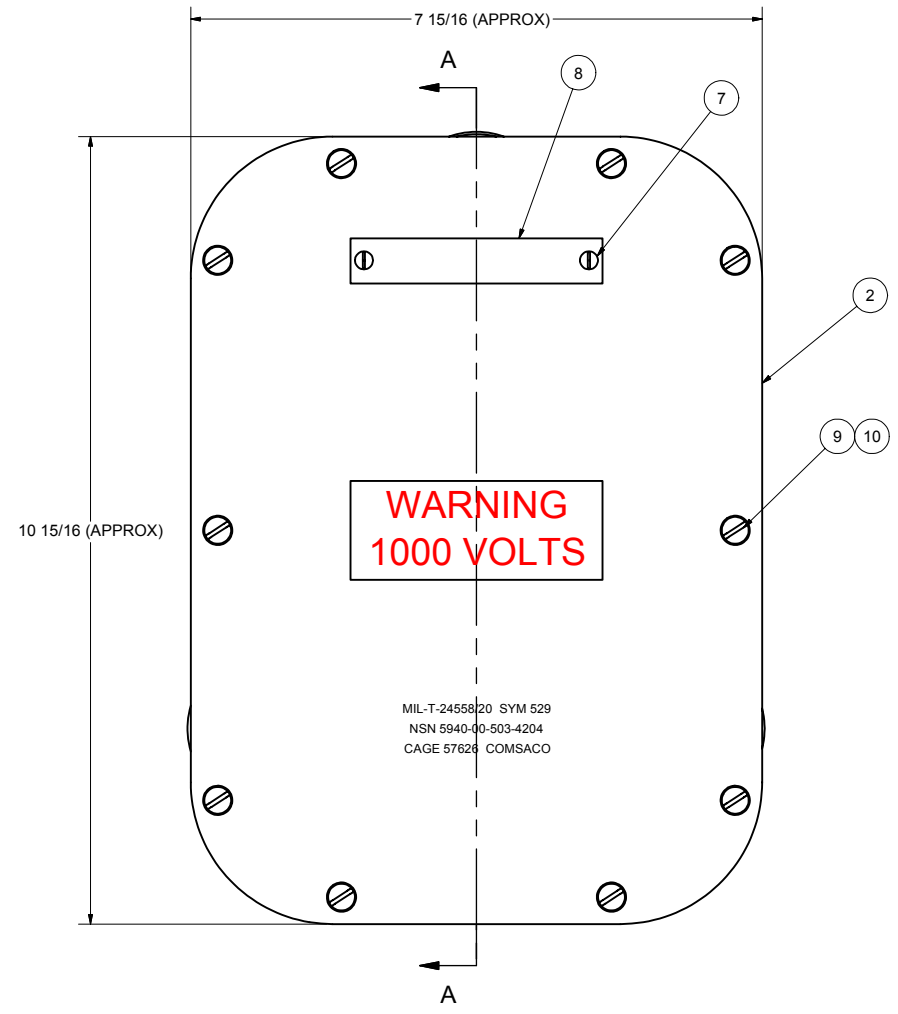
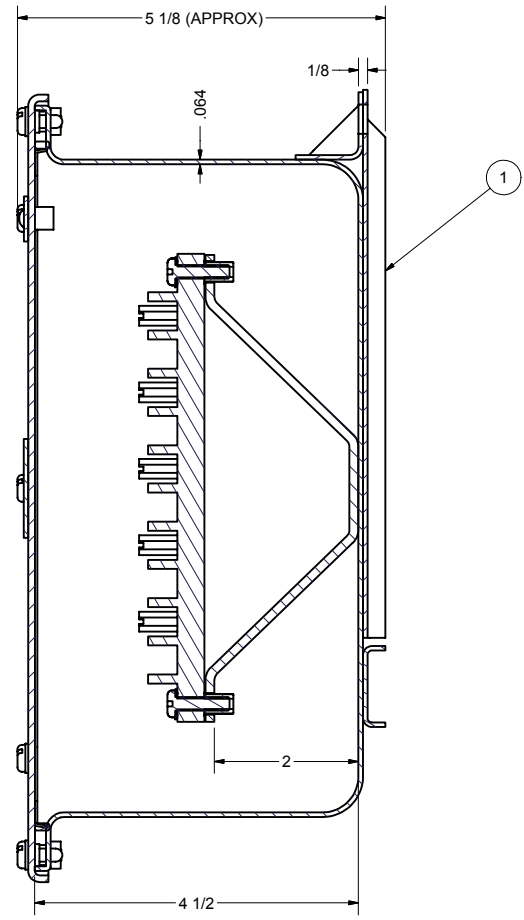


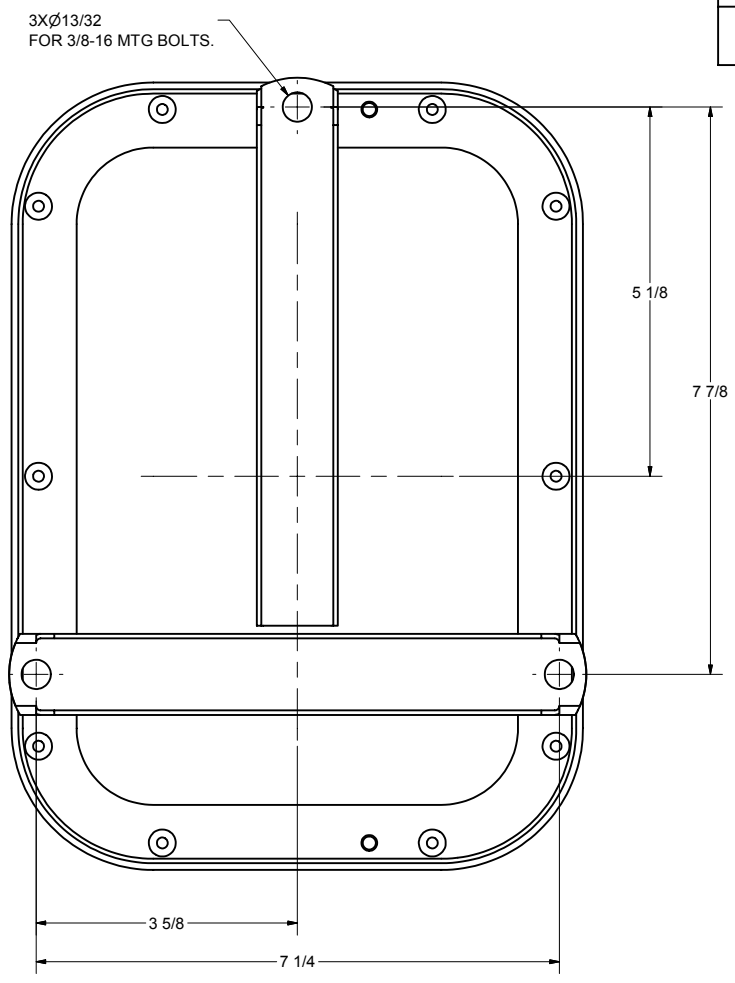
REVISIONS				
ZONE	REV	DESCRIPTION	DATE	AUTH
7C	A	CHANGED: NAMEPLATE WAS "COMSACO MARINE" AND "FCCSM".	6/4/03	AW
1B	ALL	ADDED: ITEM 11, NOTES 5,6 & 7. REVISED: DWG INTO CAD FORMAT. AUTH: DESIGN REQUIREMENTS.	7/2/08	WW



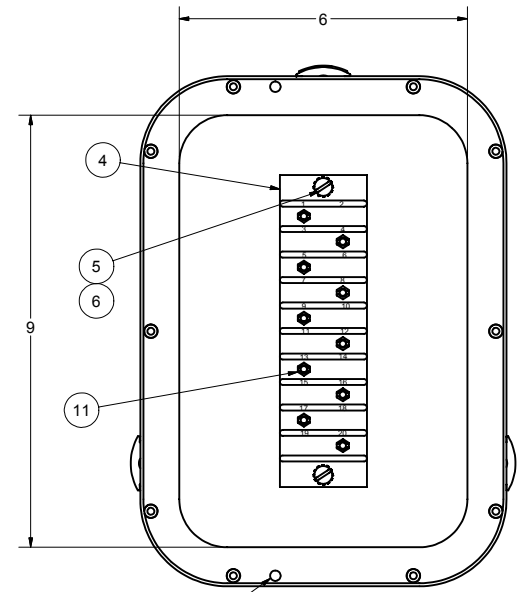
**FRONT VIEW**



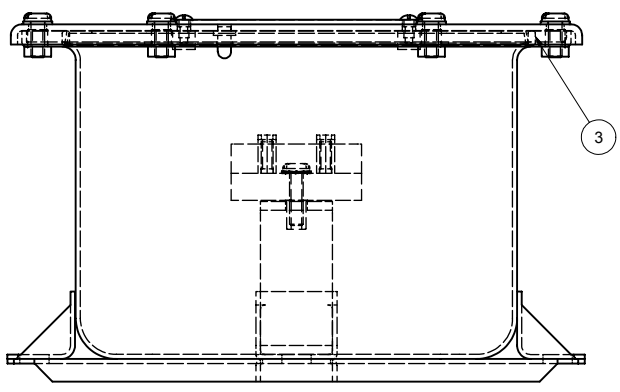
**SECTION A-A**



**BACK VIEW**



**FRONT VIEW LESS COVER**



**BOTTOM VIEW**

- NOTES:**
1. THIS DRAWING DEVELOPED FROM MIL-T-24558/20A.
  2. RATINGS AND SPECIFICATIONS:
    - A) 1000 VOLTS, 40 AMPS MAXIMUM PER STUD OF TERMINAL BOARD.
    - B) 10 TERMINALS, 20 WIRES MAX.
    - C) DEGREE OF ENCLOSURE: SUBMERSIBLE TO 15 FEET (SBM-15) PER MIL-STD-108.
    - D) MAGNETIC PERMEABILITY: LESS THAN 2.0 FERROUS MATERIALS: NONE.
    - E) WEIGHT: 6.8 LBS MAX.
  3. UNLESS OTHERWISE SPECIFIED, CABLE ENTRANCE DEVICES WILL BE PROVIDED AND INSTALLED BY THE INSTALLING ACTIVITY.
  4. THIS ASSEMBLY HAS BEEN MANUFACTURED TO MEET FIRST ARTICLE TESTING OF MIL-DTL-24558A TABLE I, INCLUDING HI-IMPACT LIGHTWEIGHT SHOCK, GRADE A, CLASS I, TYPE C OF MIL-S-901 AND TYPE I VIBRATION OF MIL-STD 167/1.
  5. TERMINAL BOARDS ARE MOLDED BARRIER STUD TYPE, CLASS 16TB PER A-A-59125/20, MAXIMUM LUGS PER STUD IS 4. BU-SHIPS TYPE L80. STUDS ARE 8-32.
  6. TERMINAL BOARD BARREL NUTS SUPPLIED KITTED SECURED IN ENCLOSURE.
  7. ALUMINUM ASSEMBLY PROVIDED PER COMSACO PART NUMBER SYM 529MA.

Parts List			
ITEM	QTY	PART NUMBER	DESCRIPTION
1	1	200234	BOX WELDMENT, BRASS, 6X9, MIL-E-24142/3
2	1	200233	COVER WELDMENT, BRASS, 6X9
3	1	MS28775-373	"O" RING COVER GASKET, RUBBER
4	1	16TB10	TERMINAL BOARD, 10T, 1000V, 40A, A-A-59125/20
5	2	X-RHM-BRS-1024-750	SCREW, RHM, BRASS, 10-24 X 3/4"
6	2	X-ELW-PHB-10	WASHER, EXT TOOTH, PHOS-BRZ, #10
7	2	X-RHM-BRS-632-250	SCREW, RHM, BRASS, 6-32 X 1/4"
8	1	100260-1	INFO PLATE, BRASS, BLANK
9	10	X-RHM-BRS-1024-500	SCREW, RHM, BRASS, 10-24 X 1/2"
10	10	X-FLW-BRS-10	WASHER, FLAT, BRASS, #10
11	10	101250-4	NUT, BARREL, BRASS, 8-32

THIS DRAWING/DOCUMENT CONTAINS INFORMATION WHICH IS PROPRIETARY TO AND PROPERTY OF COMSACO, INC. IT IS DISTRIBUTED WITH THE UNDERSTANDING THAT IT WILL BE RETAINED IN CONFIDENCE AND WILL NEITHER BE DUPLICATED NOR COPIED IN WHOLE OR IN PART NOR USED FOR ANY PURPOSE OTHER THAN THAT FOR WHICH DISCLOSED WITHOUT EXPRESS WRITTEN PERMISSION FROM COMSACO, INC.

UNLESS OTHERWISE SPECIFIED DIMENSIONS ARE IN INCHES  
TOLERANCES ARE:  
FRACTIONS DECIMALS ANGLES  
+/- 1/64 .XX .XXX .005

REDRAWN CHRIS WINDLEY 7/2/2008	<p><b>COMSACO, INC.</b> NORFOLK, VA. 23502</p> <p><b>TERMINAL BOX ASSY, BRASS, SBM-15, 10 TERM, 1000V, SYM 529</b></p>
ORIGINAL W WESTHOFF 5/3/1988	
QA	TITLE
MFG	REV B
APPROVED	SCALE
NEXT ASSY	USED ON
SIZE D	CODE IDENT NO 57626
SCALE	DWG NO 404-529
SHEET 1	OF 1