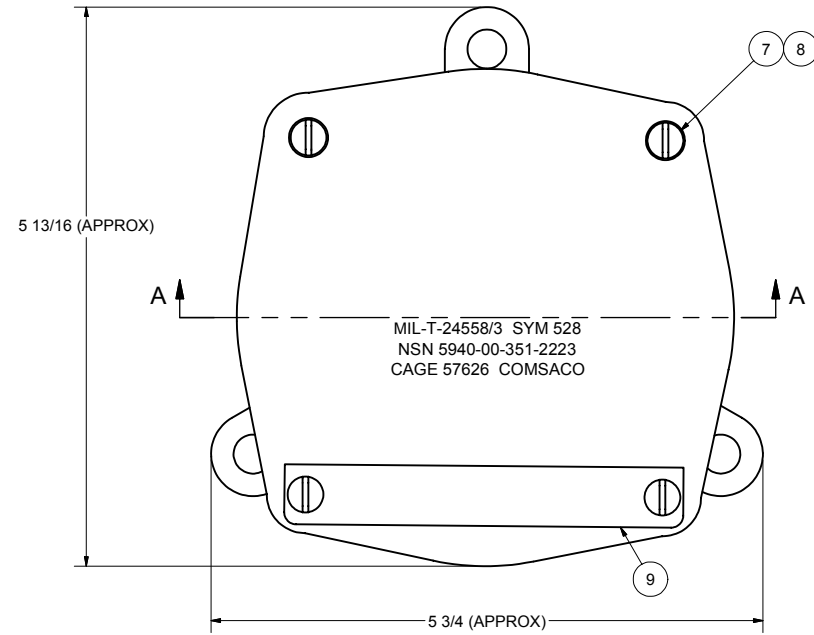
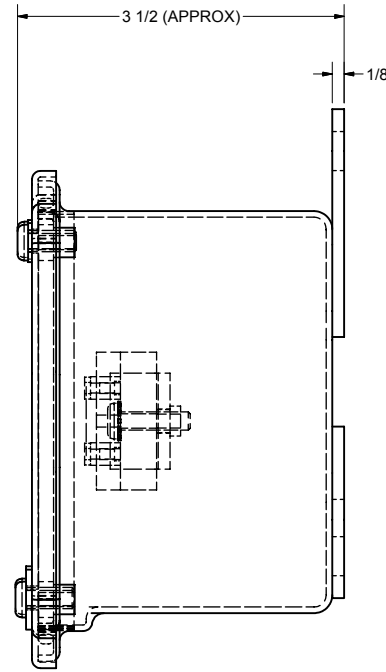


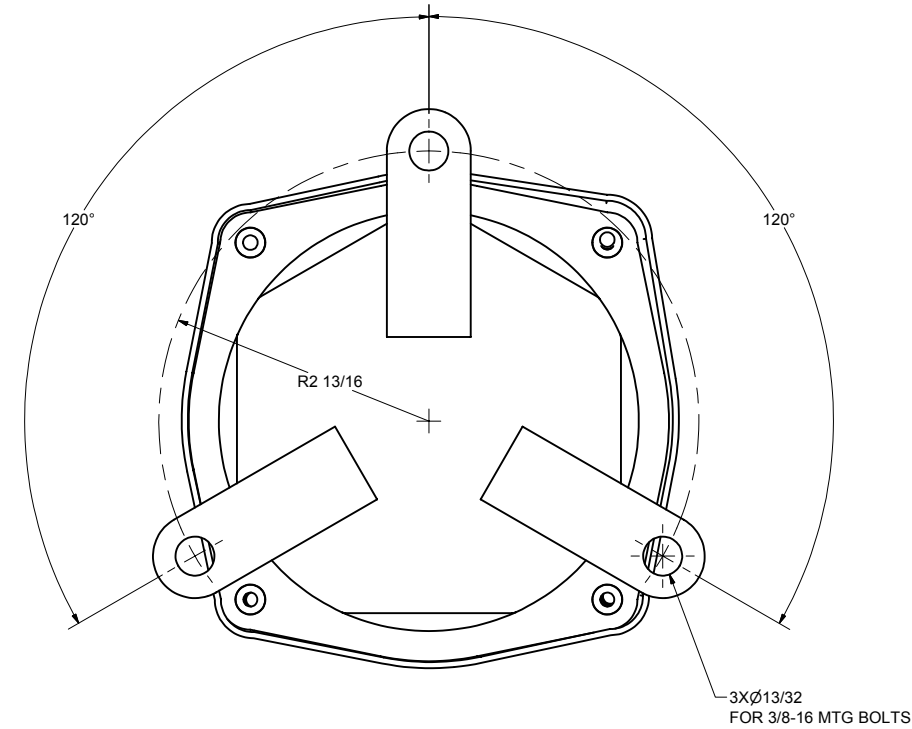
ZONE		REV	REVISIONS	DATE	AUTH
7C	A		CHANGE: STAMPING, "CAGE" WAS "FSCM". DELETE: "MARINE" FROM STAMP. ECO: 1199.	1/7/03	AW
1B	ALL	B	ADDED: ITEM 10, BARREL NUTS. REVISED: DWG INTO CAD FORMAT, NOTES. AUTH: MFR REQUIREMENTS.	1/27/09	AW



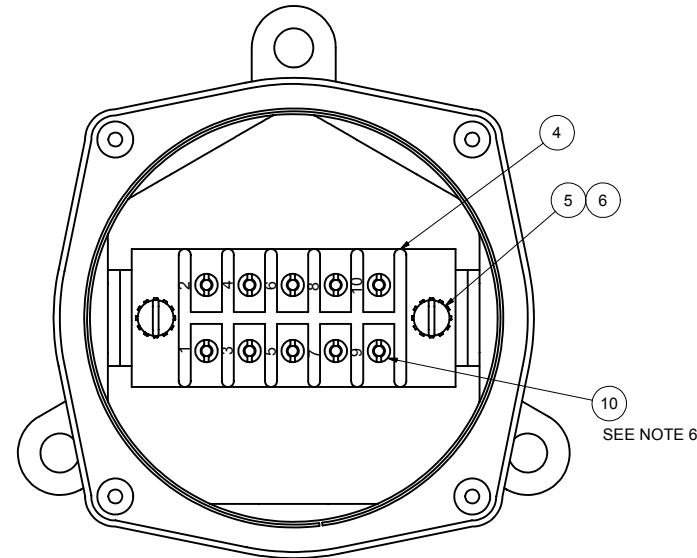
FRONT VIEW



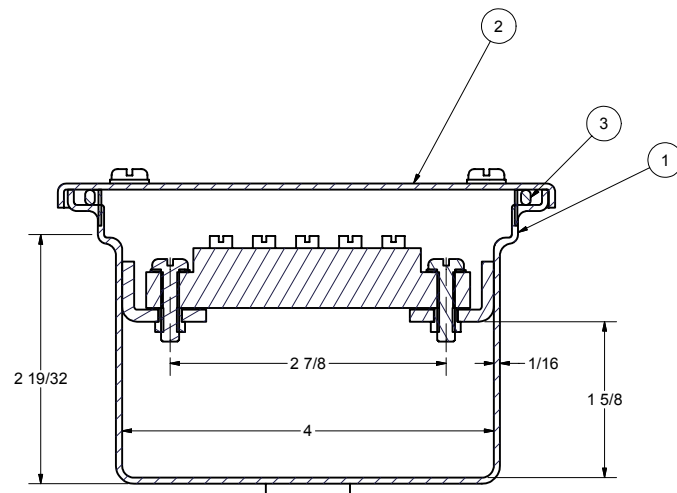
SIDE VIEW



BACK VIEW



FRONT VIEW LESS COVER



SECTION A-A

- NOTES:
- THIS DRAWING DEVELOPED FROM MIL-DTL-24558/3A.
 - RATINGS AND SPECIFICATIONS:
 - 600 VOLTS, 30 AMPS MAXIMUM PER STUD OF TERMINAL BOARD.
 - 10 TERMINALS, 30 WIRES MAX.
 - DEGREE OF ENCLOSURE: SUBMERSIBLE TO 15 FEET (SBM-15) PER MIL-STD-108.
 - MAGNETIC PERMEABILITY: LESS THAN 2.0 FERROUS MATERIALS: NONE.
 - WEIGHT: 2.35 LBS.
 - UNLESS OTHERWISE SPECIFIED, CABLE ENTRANCE DEVICES WILL BE PROVIDED AND INSTALLED BY THE INSTALLING ACTIVITY.
 - TERMINAL BOARDS ARE MOLDED BARRIER STUD TYPE, CLASS 6TB PER A-A-59125/12, MAXIMUM LUGS PER STUD IS 3. BU-SHIPS TYPE L81. STUDS ARE 6-32.
 - THIS EQUIPMENT TESTED UNDER COMSACO TEST REPORT FA-1015 HAS PASSED FIRST ARTICLE TESTING DATED 11OCT1989, PER MIL-T-24558(SH) PARAGRAPH 4.4. TESTS INCLUDED:
 - VIBRATION PER MIL-STD-167 TYPE I. EXPLORATORY AND ENDURANCE UP TO 33HZ.
 - SHOCK PER MIL-S-901C: LIGHTWEIGHT HIGH IMPACT, GRADE A, CLASS I, TYPE A, BULKHEAD MOUNTED, BACK MTG PLANE, UNRESTRICTED ORIENTATION.
 - EFFECTIVENESS OF ENCLOSURE PER MIL-STD-108. (SBM-15FT)
 - BARREL NUTS FOR TERMINAL BOARDS TO BE PACKAGED SECURELY AND SHIPPED LOOSE INSIDE ENCLOSURE.
 - FINISH: INTERIOR ONLY WITH WHITE ENAMEL.

Parts List			
ITEM	QTY	PART NUMBER	DESCRIPTION
1	1	200146	BOX WELDMENT, BRASS, 4" RND (74210-44)
2	1	74210-40-528	COVER, BRASS, 4" RND, STAMPED
3	1	MS28775-348	GASKET, O-RING, COVER, RUBBER
4	1	6TB10	TERMINAL BOARD, 10T, 30A, 600V, A-A-59125/12
5	2	X-RHM-BRS-024-750	SCREW, RHM, BRASS, 10-24 X 3/4"
6	2	X-ELW-PHB-10	WASHER, EXT TOOTH, PHOS-BRZ, #10
7	4	X-RHM-BRS-024-500	SCREW, RHM, BRASS, 10-24 X 1/2"
8	2	X-FLW-BRS-10	WASHER, FLAT, BRASS, #10
9	1	100228	INFO PLATE, BRASS, BLANK
10	10	101250-3	NUT, BARREL, BRASS, 6-32 THRU

THIS DRAWING/DOCUMENT CONTAINS INFORMATION WHICH IS PROPRIETARY TO AND PROPERTY OF COMSACO, INC. IT IS DISTRIBUTED WITH THE UNDERSTANDING THAT IT WILL BE RETAINED IN CONFIDENCE AND WILL NEITHER BE DUPLICATED NOR COPIED IN WHOLE OR IN PART NOR USED FOR ANY PURPOSE OTHER THAN THAT FOR WHICH DISCLOSED WITHOUT EXPRESS WRITTEN PERMISSION FROM COMSACO, INC.

UNLESS OTHERWISE SPECIFIED DIMENSIONS ARE IN INCHES
TOLERANCES ARE:
FRACTIONS DECIMALS ANGLES
+/- 1/64 .XX .XXX .005

REDRAWN CHRIS WINDLEY ORIGINAL W WESTHOFF QA MFG APPROVED	1/27/2009 6/23/1988	COMSACO, INC. NORFOLK, VA. 23502 TERMINAL BOX ASSY, BRASS, 10T, SBM-15, SYMBOL 528	
NEXT ASSY	USED ON	SIZE D 57626	REV B
		SCALE	SHEET 1 OF 1