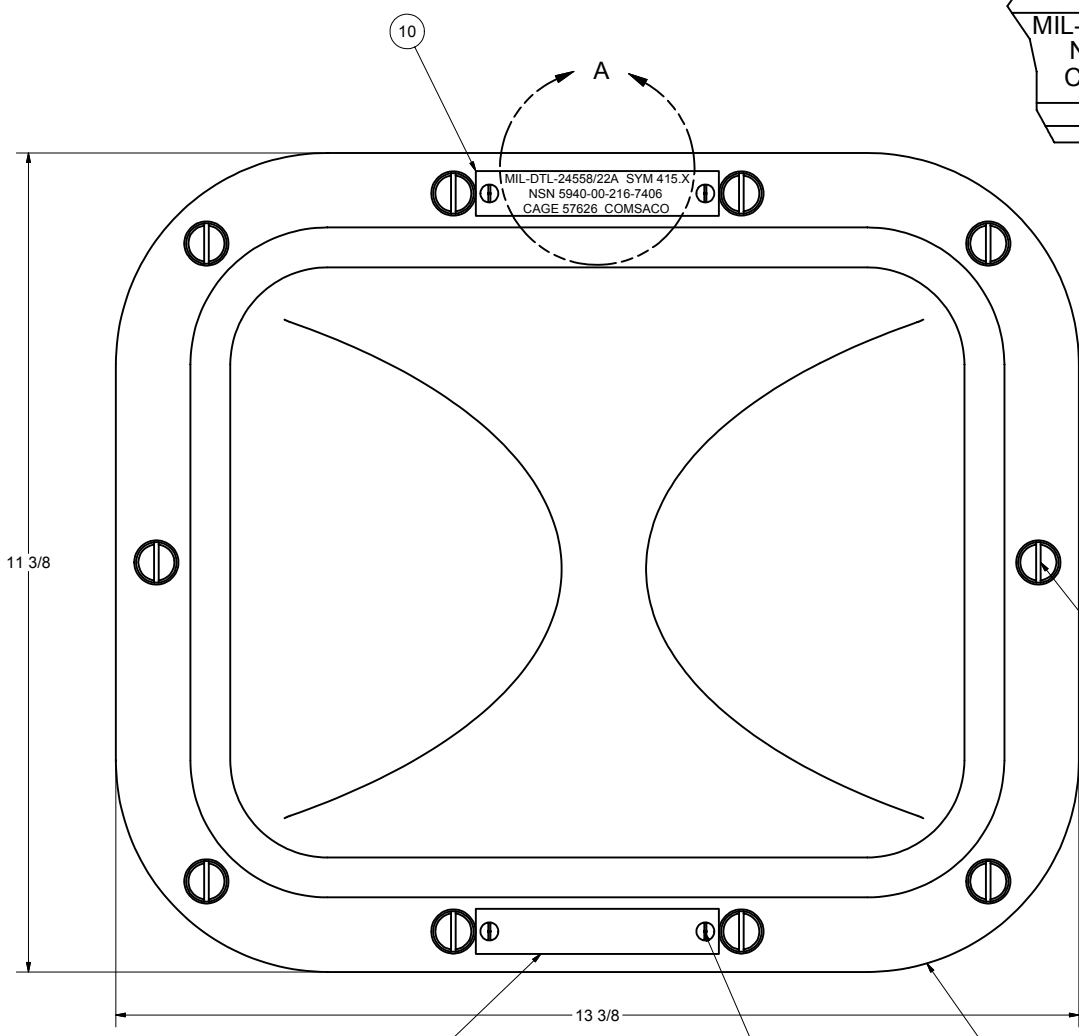


REVISIONS			
ZONE	REV	DESCRIPTION	AUTH

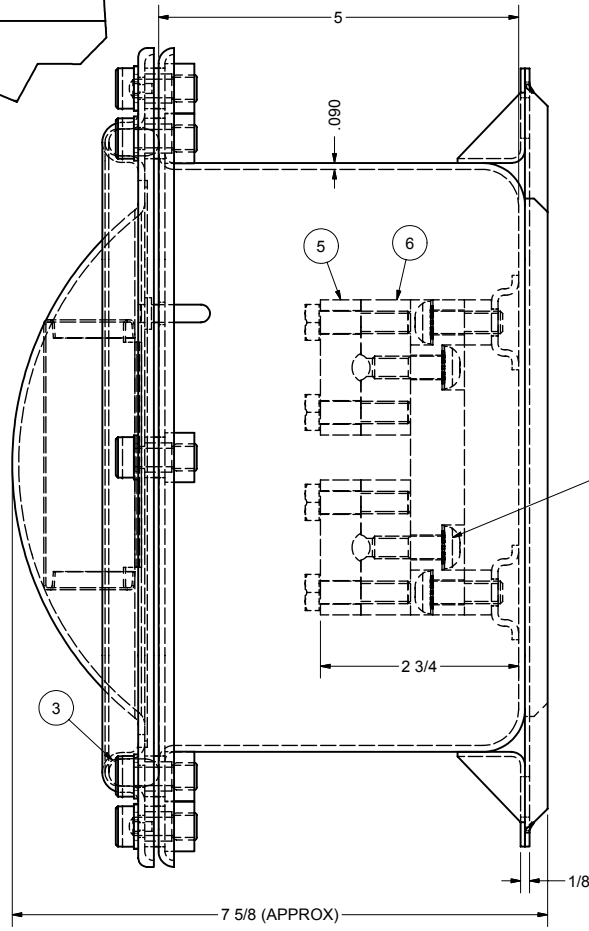


FRONT VIEW

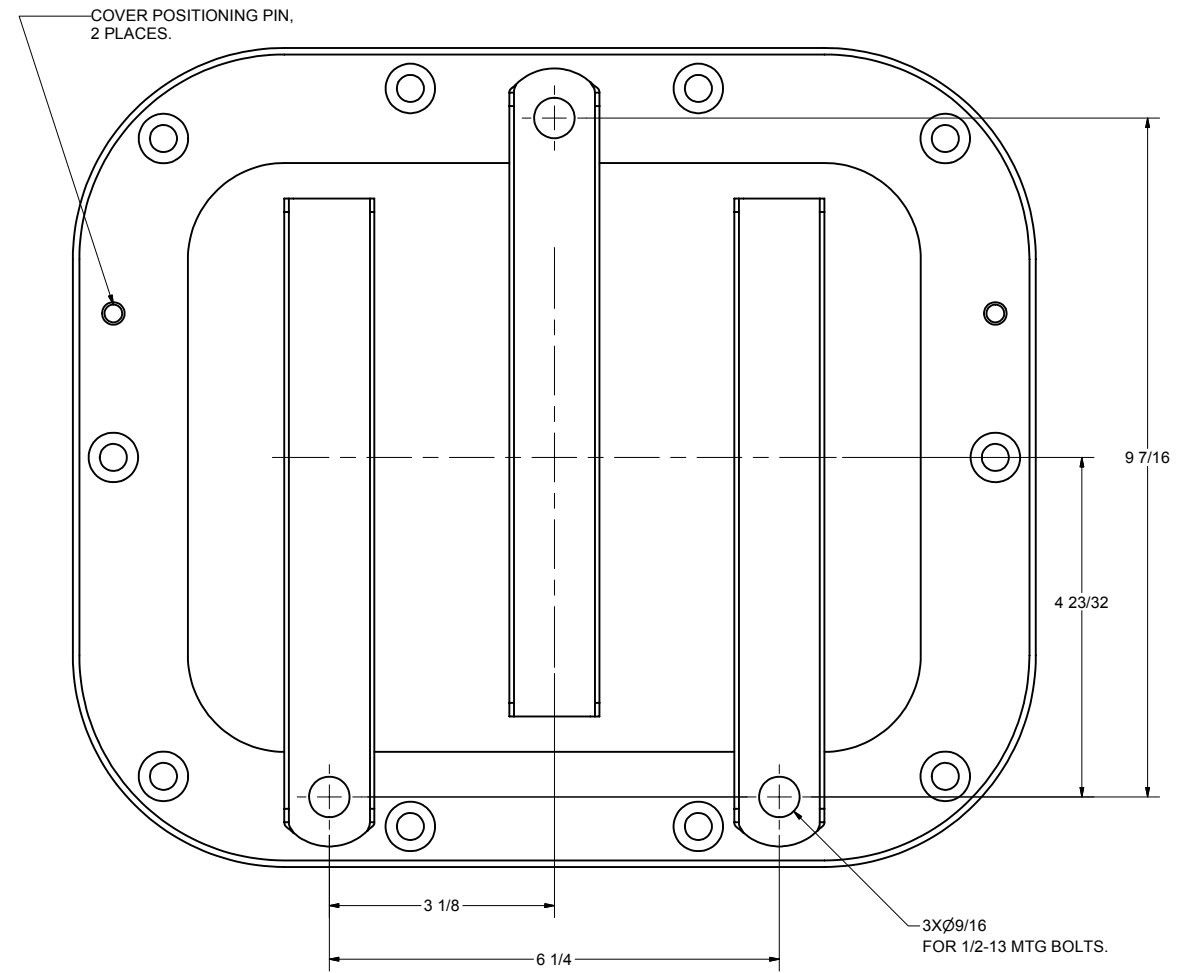
MIL-DTL-24558/22A SYM 415.x
NSN 5940-00-216-7406
CAGE 57626 COMSACO

ADD P/N AT ASSEMBLY.
SEE TABLE.

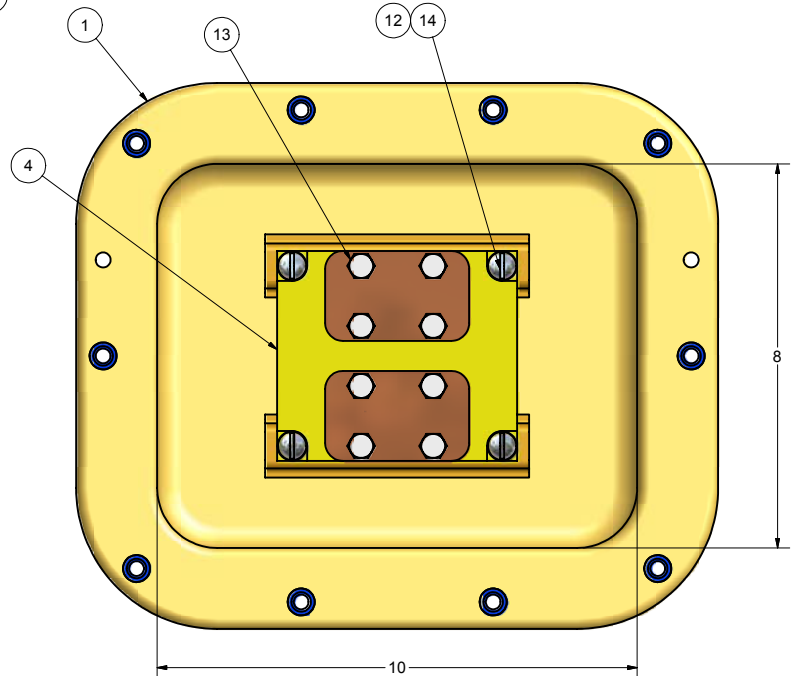
DETAIL A



SIDE VIEW



BACK VIEW



FRONT VIEW LESS COVER

TABLE

PART NO.	USED ON	FOR CABLE SIZE
100291-3, 100979-2	SYM 415	75MCM
100291-4, 100979-3	SYM 415.1	100MCM
100291-5, 100979-4	SYM 415.2	125MCM
100291-6, 100979-5	SYM 415.3	150MCM
100291-7, 100979-6	SYM 415.4	200MCM

Parts List

ITEM	QTY	PART NUMBER	DESCRIPTION
1	1	200268	BOX WELDMENT, BRASS, 8X10X5
2	1	200174-101	COVER WELDMENT, BRASS, DOMED, 8X10
3	1	100146-1	GASKET, COVER, RUBBER
4	1	100871	BASE, TERMINAL BOARD, 3/4" GME
5	2	100291-SEE TABLE	SPACER, COPPER, 3" X 1-7/8" X 9/16" THK
6	2	100979-SEE TABLE	TERMINAL CAP, COPPER, 3" X 1-7/8" X 11/16" THK
7	10	74031-5	BOLT, COVER, BRASS, SLOTTED, 3/8-16 X 1-1/8"
8	10	AN960B616	WASHER, FLAT, BRASS, 3/8"
9	1	100305-1	INFO PLATE, BRASS, BLANK
10	1	100305-415	ID PLATE, BRASS, ENGRAVED
11	4	X-RHM-BRS-632-250	SCREW, RHM, BRASS, 6-32 X 1/4"
12	8	X-RHM-BRS-618-100	SCREW, RHM, BRASS, 5/16-18 X 1"
13	8	X-BLT-BRS-618-125	BOLT, HEX HD, BRASS, 5/16-18 X 1-1/4"
14	8	X-ILW-PHB-618	WASHER, INT TOOTH, PHOS-BRZ, 5/16"

- NOTES:**
- THIS DRAWING DEVELOPED FROM MIL-DTL-24558/22A.
 - RATINGS AND SPECIFICATIONS:
 - 500 VOLTS, 350 AMPS MAXIMUM PER TERMINAL.
 - 2 TERMINALS, 4 WIRES MAX.
 - DEGREE OF ENCLOSURE: SUBMERSIBLE TO 15 FEET (SBM-15) PER MIL-STD-108.
 - MAGNETIC PERMEABILITY: LESS THAN 2.0 FERROUS MATERIALS: NONE.
 - WEIGHT: 23 LBS MAX.
 - UNLESS OTHERWISE SPECIFIED, CABLE ENTRANCE DEVICES WILL BE PROVIDED AND INSTALLED BY THE INSTALLING ACTIVITY.

THIS DRAWING/DOCUMENT CONTAINS INFORMATION WHICH IS PROPRIETARY TO AND PROPERTY OF COMSACO, INC. IT IS DISTRIBUTED WITH THE UNDERSTANDING THAT IT WILL BE RETAINED IN CONFIDENCE AND WILL NEITHER BE DUPLICATED NOR COPIED IN WHOLE OR IN PART NOR USED FOR ANY PURPOSE OTHER THAN THAT FOR WHICH DISCLOSED WITHOUT EXPRESS WRITTEN PERMISSION FROM COMSACO, INC.

UNLESS OTHERWISE SPECIFIED DIMENSIONS ARE IN INCHES TOLERANCES ARE:
FRACTIONS DECIMALS ANGLES
+/- 1/64 .XX .XXX .005

DRAWN: CHRIS WINDLEY 6/13/2007
 CHECKED: W WESTHOFF 6/15/2007
 QA: []
 MFG: []
 APPROVED: []

COMSACO, INC.
 NORFOLK, VA. 23502

TERMINAL CONNECTION BOX, 500V, SINGLE PHASE, SBM-15, MIL-DTL-24558/22

SIZE: D 57626
 CODE IDENT NO: 404-415
 DWG NO: []

SCALE: [] SHEET 1 OF 1

NEXT ASSY	USED ON