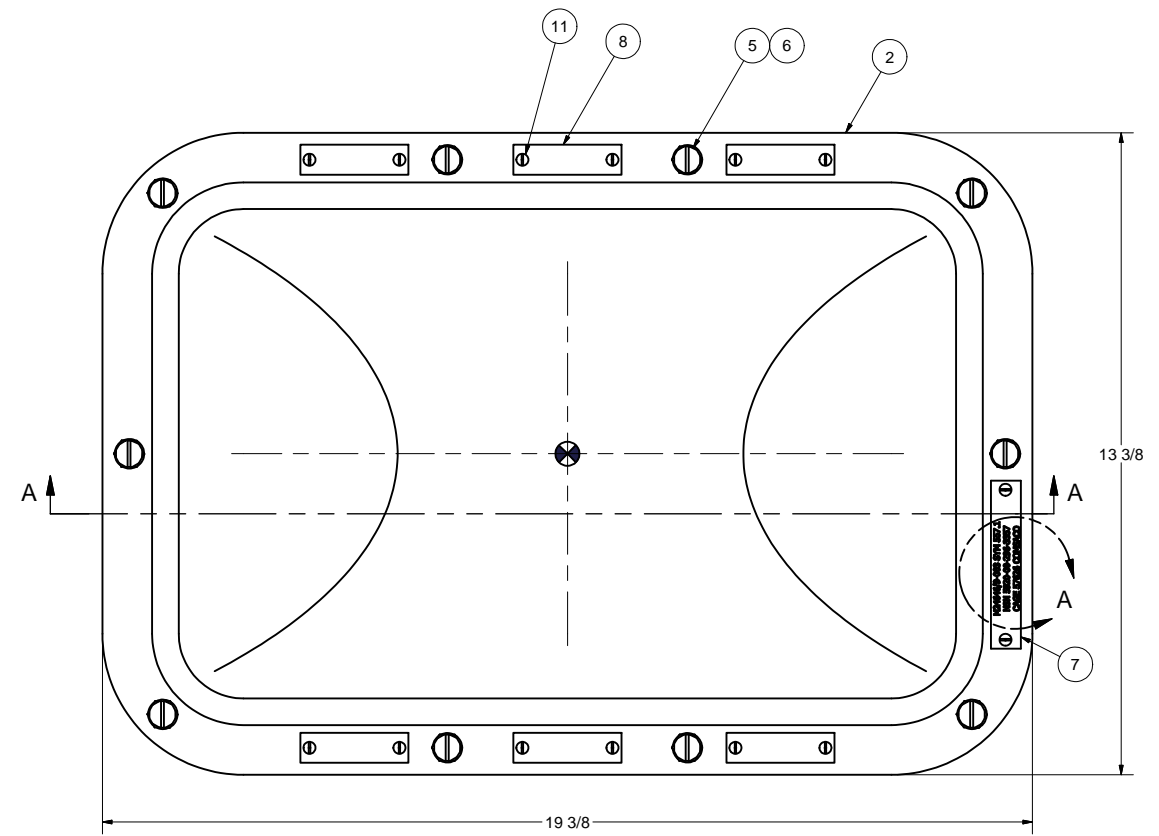
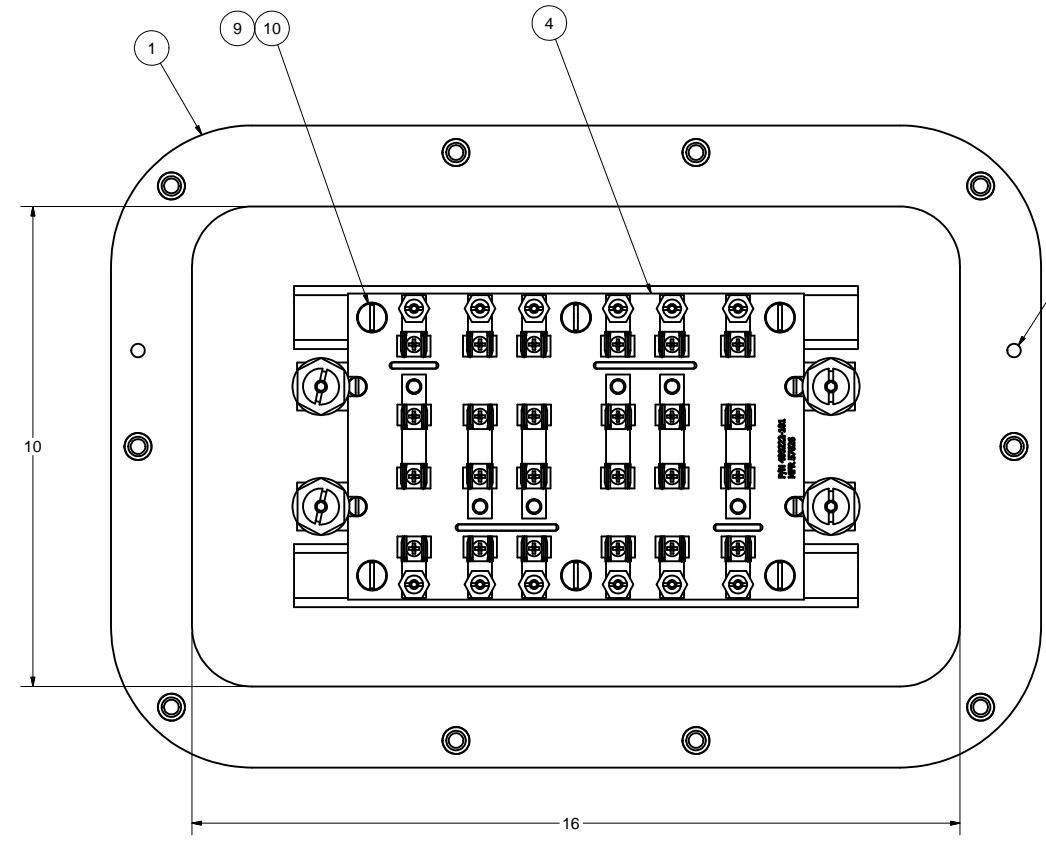


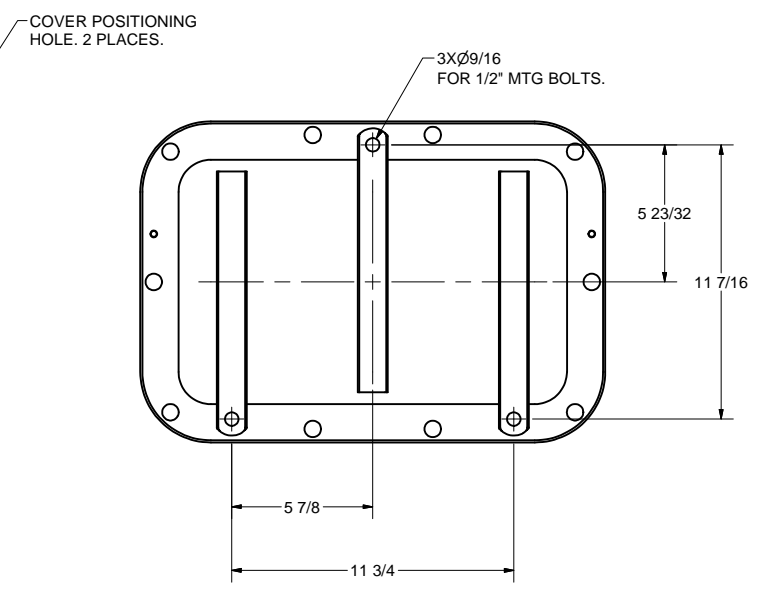
REVISIONS				
ZONE	REV	DESCRIPTION	DATE	AUTH
7B 7C	A	ADDED: CENTER OF GRAVITY (COG). AUTH: DESIGN REQ.	12/16/13	CW
7A	B	ADDED: NOTES 5 & 6. AUTH: ADMIN REQ.	2/27/14	AW



FRONT VIEW

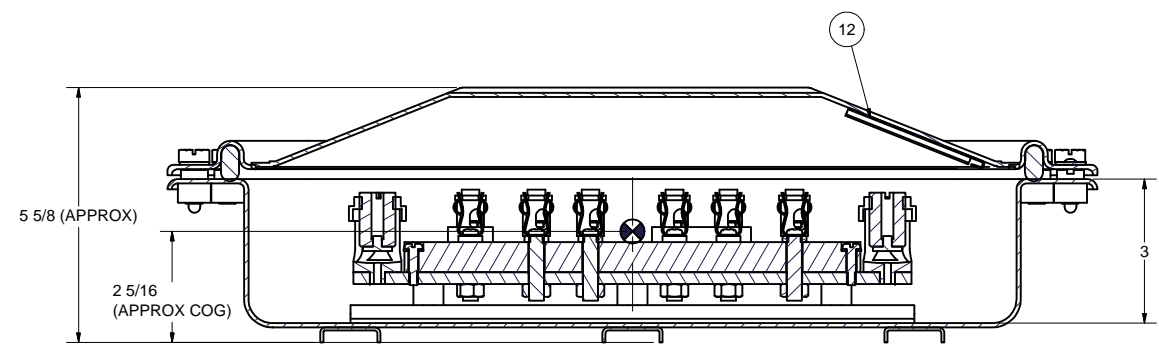


FRONT VIEW LESS COVER



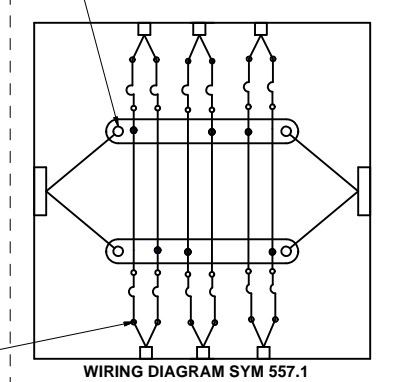
**M24646/9-003 SYM 557.1**  
**NSN 5920-00-296-3357**  
**CAGE 57626 COMSACO**

DETAIL A  
1/8" ENGRAVED TEXT



SECTION A-A

MAIN TERMINALS DESIGNED ON MAX BASIS OF 200 MCM CABLE.



BRANCH TERMINALS DESIGNED ON MAX BASIS OF 40 MCM CABLE.

- NOTES:
- THIS DRAWING DEVELOPED FROM BUSHIPS DWG 9-S-74167 AND MIL-DTL-24646/9B.
  - SPECIFICATIONS AND RATINGS:  
6 CIRCUIT, 250VAC, 1 PHASE, MAX FEEDER SIZE 200 MCM, MAX BRANCH CABLE SIZE 40 MCM. USES FUSES TYPES F15 OR F61 PER MIL-PRF-15160, 30A MAX. DEGREE OF ENCLOSURE IS 15 FT. SUBMERSIBLE.
  - QUALITY CONFORMANCE INSPECTIONS REFERENCE MIL-F-24646A PARA. 4.4.
  - TOTAL WEIGHT IS 31 LBS.
  - THIS EQUIPMENT HAS BEEN QUALIFIED UNDER MIL-S-901D LIGHT WEIGHT HIGH IMPACT SHOCK, GRADE A, CLASS 1, TYPE A, BULKHEAD MOUNTED, BACK MTG. PLANE, UNRESTRICTED ORIENTATION THROUGH SUPSHIP CONVERSION AND REPAIR USN NEWPORT NEWS EXTENSION APPROVAL LETTER 9072 SER CVN72-272C/102379 DATED 23DEC2013. APPROVAL GRANTED THROUGH TESTING OF SYMBOL 559.1 BY RETLIF LABORATORY TEST REPORT R-13392B DATED 24SEP2010.
  - THIS EQUIPMENT HAS BEEN QUALIFIED UNDER MIL-STD-167-1(SHIPS) TYPE I VIBRATION THROUGH TESTING OF SYMBOL 559.1 BY RETLIF LABORATORY TEST REPORT R-13392B DATED 24SEP2010. VIBRATION EXTENSION APPROVAL PER SUPSHIP, CONVERSION AND REPAIR, USN, NEWPORT NEWS LETTER 9073 SER CVN72-272S/102348 DATED 20DEC2013.

Parts List				
ITEM	QTY	PART NUMBER	DESCRIPTION	
1	1	201216	BOX WELDMENT, BRASS, 10X16X3	
2	1	201217	COVER WELDMENT, BRASS, DOMED 10X16	
3	1	100146-5	GASKET, COVER, 10X16, RUBBER	
4	1	400222-101	FUSE BASE ASSY, 6CKT, 250V	
5	10	74031-5	SCREW, COVER, BRASS, 3/8-16 X 1-1/8"	
6	10	AN960B616	WASHER, FLAT, BRASS, 3/8"	
7	1	100260-557.1	ID PLATE, BRASS, ENGRAVED	
8	6	74031-25	INFO PLATE, BRASS, BLANK	
9	6	X-RHM-SS-618-750	SCREW, RHMS, CRES, SLOTTED, 5/16-1/8 x 3/4"	
10	6	X-ILW-CRES-618	WASHER, INT TOOTH, CRES, 5/16"	
11	14	X-RHM-BRS-632-250	SCREW, RHM, BRASS, 6-32 X 1/4"	
12	1	WD-SYM 557.1	WIRING DIAGRAM, LAMINATED PAPER	

DRAWN CHRIS WINDLEY 9/3/2013	CHECKED	QA	MFG	APPROVED W WESTHOFF 9/5/2013	<b>COMSACO, INC.</b> NORFOLK, VA. 23502  <b>FUSE PANEL, BRASS, 6 CKT,          1 PHASE, SBM, SYM 557.1</b>	
UNLESS OTHERWISE SPECIFIED DIMENSIONS ARE IN INCHES TOLERANCES ARE: FRACTIONS DECIMALS ANGLES +/- 1/64 .XX .XXX .005				SCALE	DWG NO 57626 404-557.1	REV B

NEXT ASSY	USED ON
-----------	---------