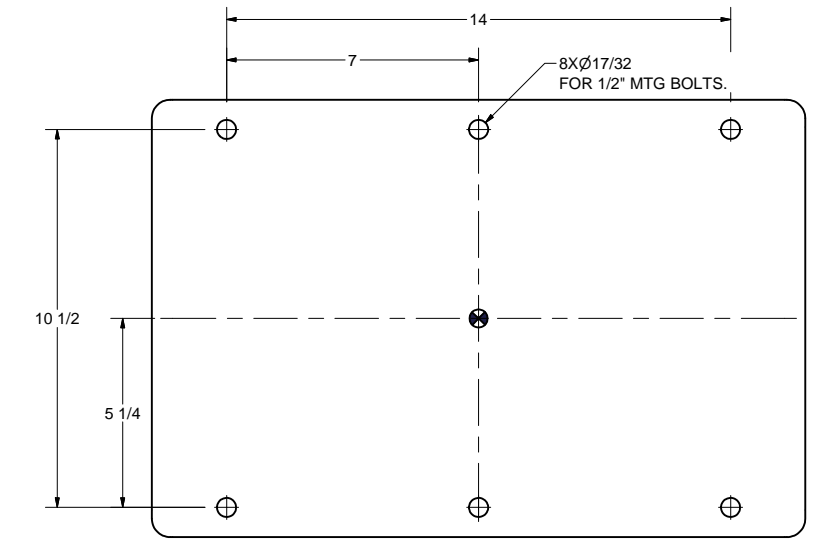
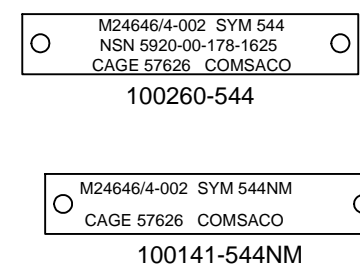
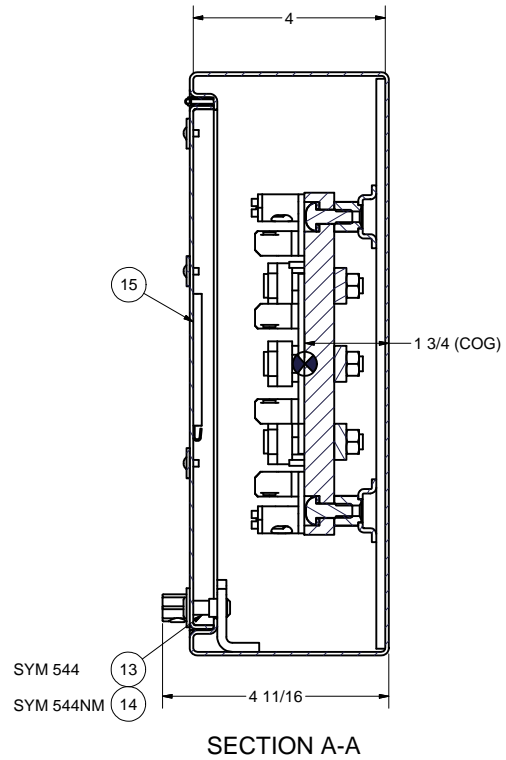
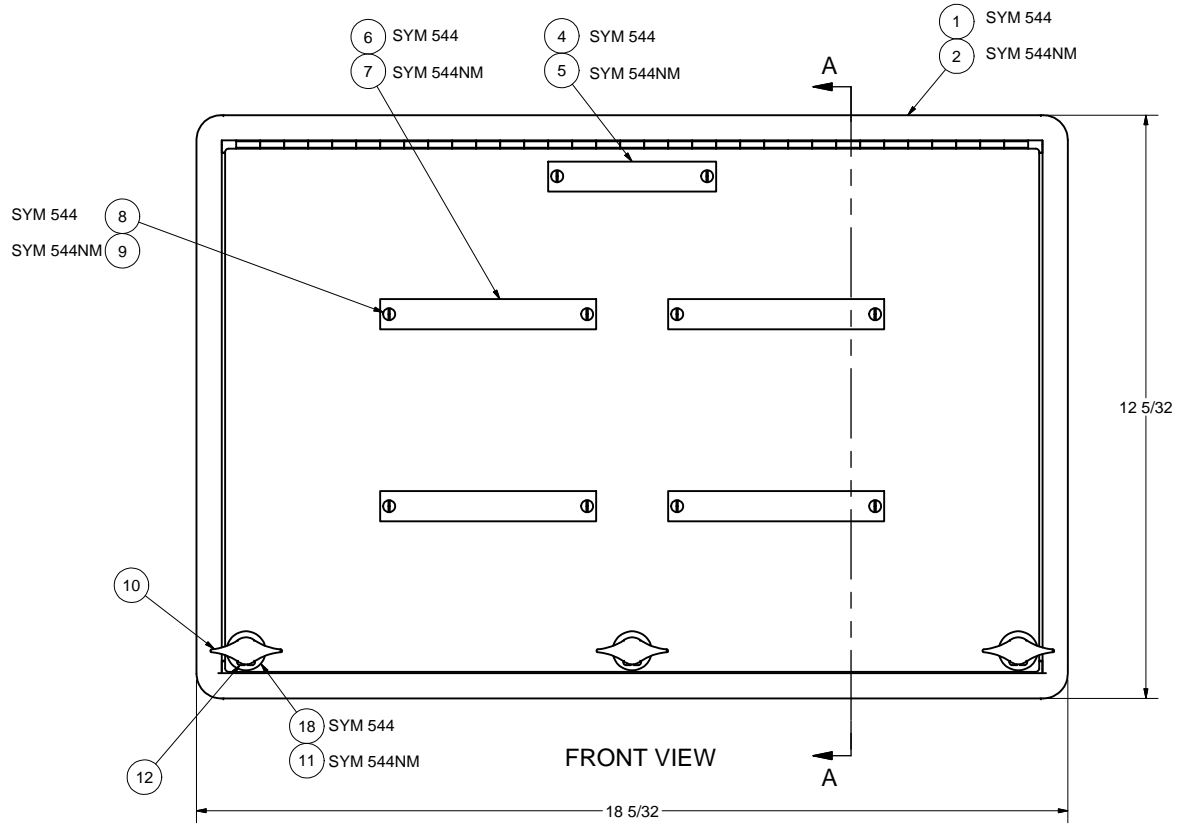


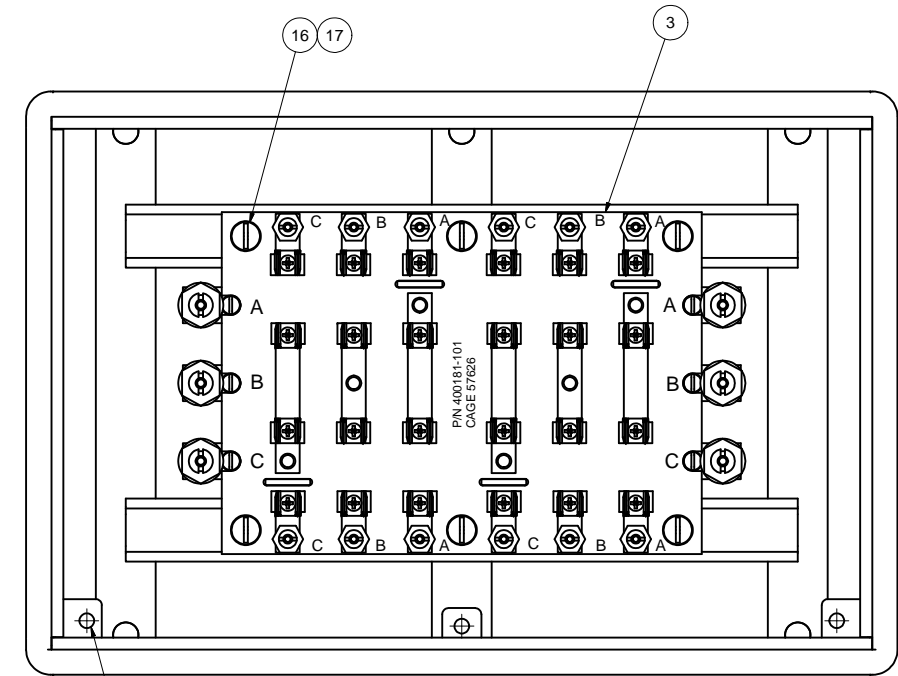
ZONE		REV	REVISIONS	DATE	AUTH
ALL		A	ADDED: P/N SYM 544NM. REVISED: DWG INTO CAD FORMAT	3/24/15	RLF



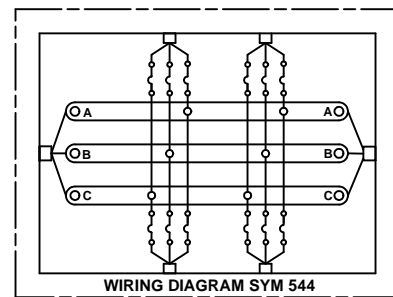
BACK VIEW

NOTES:

- THIS DRAWING DEVELOPED FROM MIL-DTL-24646/4C.
- RATINGS AND SPECIFICATIONS:
4 CIRCUIT, 450VAC, 3 PHASE LINE, 3 PHASE BRANCH, 0-30 AMP MAX.
TOTAL CONNECTED LOAD 120AMPS MAX.
USE FUSE TYPE F15(250V), F61(450V) PER MIL-F-15160.
DEGREE OF ENCLOSURE IS TE (TOTALLY ENCLOSED).
- UNLESS OTHERWISE SPECIFIED CABLE ENTRANCE DEVICES WILL BE PROVIDED AND INSTALLED BY THE INSTALLATION ACTIVITY.
- SYM 544 SHOCK EXTENSION APPROVAL PER NAVSEA LETTER SER 08J/06-00913/DTD 30MAR2006 FROM SYM 545.
SYM 545 QUALIFIED PER AERO-NAV LABRATORIES, INC REPORT 7-9795-9 AND COMSACO, INC REPORT FA-1033 AND ACCEPTED BY SUPSHIPS NEWPORT NEWS LETTER 9072/9324 SER CVN65COH-272A/2381 DATED 02 DEC 1992. TESTS INCLUDED HIGH IMPACT, GRADE A, CLASS I, LIGHTWEIGHT, TYPE A, BULKHEAD MOUNTED SHOCK PER MIL-S-901C AND VIBRATION PER MIL-STD-167(1).
- SYM 544 VIBRATION EXTENSION APPROVAL PER SUPSHIP NN LETTER 9073 SER CVN 78-272S/102616 DATED 2DEC2011 FROM SYM 545.
SYM 545 QUALIFIED PER AERO-NAV LABRATORIES, INC REPORT 7-9795-9 DATED 04SEP1987 AND ACCEPTED BY SUPSHIPS NEWPORT NEWS LETTER 9072/9324 SER CVN65COH-272A/2381 DATED 02 DEC 1987. TESTS INCLUDED HIGH IMPACT, GRADE A, CLASS I, LIGHTWEIGHT, TYPE A, BULKHEAD MOUNTED SHOCK PER MIL-S-901C AND VIBRATION PER MIL-STD-167(1).
- SYM 544NM SHOCK AND VIBRATION APPROVAL PER SUPERVISOR OF SHIPBUILDING, CONVERSION AND REPAIR, USN, NEWPORT NEWS LETTER 9302/9072 SER CVN69RCOH-272P/0631, DATED 20JUNE2002. EXTENSION GRANTED FROM SYM 545NM TESTED PER COMSACO SV-1025 AND APPROVED BY SUPERVISOR OF SHIPBUILDING NEWPORT NEWS LETTER 9072 SER CVN 74/75-272A/0341 DATED 28FEB1994. TESTS INCLUDED HIGH IMPACT, GRADE A, CLASS I, LIGHTWEIGHT, TYPE A, BULKHEAD MOUNTED SHOCK PER MIL-S-901C AND VIBRATION PER MIL-STD-167(1).
- FINISH; LIGHT GRAY ENAMEL PER MIL-E-15090.
- TOTAL WEIGHT:
SYM 544 IS 24 LBS.
SYM 544NM IS 17 LBS.



FRONT VIEW LESS COVER



WIRING DIAGRAM SYM 544

Parts List				
SYM 544NM	SYM 544	ITEM	PART NUMBER	DESCRIPTION
-	1	1	200164	ENCLOSURE WELDMNT, 14GA STEEL
1	-	2	200305	ENCLOSURE WELDMNT, .080" ALUM
1	1	3	400181-101	FUSE BASE SUB-ASSY, 5/8" GPO3
-	1	4	100260-544	NAMEPLATE, BRASS, ENGRAVED
1	-	5	100141-545NM	NAMEPLATE, ALUM, ENGRAVED
-	4	6	74031-26	INFO PLATE, BRASS, BLANK
4	-	7	74031-26A	INFO PLATE, ALUM, BLANK
-	10	8	X-RHM-BRS-632-250	SCREW, RHM, BRASS, 6-32 X 1/4"
10	-	9	X-RHM-SS-632-250	SCREW, RHM, CRES, 6-32 X 1/4"
3	3	10	74031-57	HANDLE, BRASS
3	-	11	X-FLW-CRES-516	WASHER, FLAT, CRES, 5/16"
3	3	12	X-RHM-SS-024-375	SCREW, RHM, CRES, 10-24 X 3/8"
-	3	13	100608	STUD, COVER SECURING, BRASS, 3/8-16
3	-	14	100616	STUD, COVER SECURING, CRES, 3/8-16
1	1	15	4876-SYM 544WD	WIRING DIAGRAM, LAMINATED PAPER
6	6	16	X-RHM-SS-618-0750	SCREW, RHM, CRES, 5/16-18 X 3/4"
6	6	17	X-ILW-CRES-618	WASHER, INT TOOTH, CRES, 5/16"
-	3	18	74031-33	WASHER, FLAT, BRASS, 11/32" ID

REDRAWN
CHRIS WINDLEY 3/13/2015
ORIGINAL
W WESTHOFF 11/6/1990
QA
MFG
APPROVED

COMSACO, INC.
NORFOLK, VA. 23502

TITLE
**FUSE PANEL, 4CKT, 450VAC,
3PH/3PH, TE**

SIZE CODE IDENT NO DWG NO REV
D 57626 404-544 A

SCALE SHEET 1 OF 1

UNLESS OTHERWISE SPECIFIED
DIMENSIONS ARE IN INCHES
TOLERANCES ARE:
FRACTIONS DECIMALS ANGLES
+/- 1/64 .XX .XXX .005

NEXT ASSY	USED ON
-----------	---------