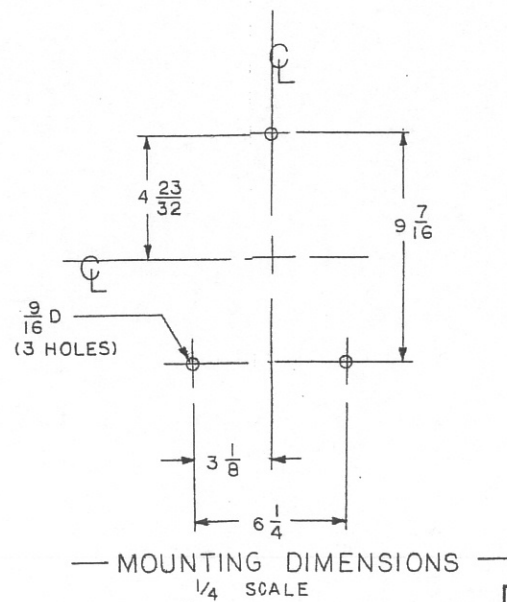


NOTES

- THIS DWG WAS DEVELOPED FROM MIL-T-24558/7.
- RATINGS AND SPECIFICATIONS:
 - 600 VOLTS, 30 AMPS, MAX, PER STUD.
 - 48 TERMINALS, 144 WIRE.
 - ELECTRICAL INTERFACE AT TERMINAL BOARD 6TB24, PER MIL-T-55164/12.
 - DEGREE OF ENCLOSURE: SUBMERSIBLE TO 15 FEET, (SBM 15).
 - MAGNETIC PERMEABILITY: LESS THAN 2.0. FERROUS MATERIALS: NONE
 - WEIGHT:
- UNLESS OTHERWISE SPECIFIED, CABLE ENTRANCE DEVICES WILL BE PROVIDED BY THE INSTALLING ACTIVITY.
- INSPECTIONS AND TESTS:
 - PRODUCTION TESTS PER MS16662, NOTE 54. - VISUAL AND DIMENSIONAL
 - PRE-PRODUCTION TESTS:
 - HIGH IMPACT SHOCK PER MIL-S-901C, GRADE A, CLASS I, LIGHTWEIGHT, TYPE A.
 - ENVIRONMENTAL VIBRATION PER MIL-STD-167-1 TYPE I.
 - DEGREE OF ENCLOSURE PER MIL-STD-108; PERFORMED AS PART OF HI IMPACT SHOCK TEST.



— MOUNTING DIMENSIONS —
1/4 SCALE
MTG BOLTS SHALL BE 1/2-13

QTY REQD	SYM	NOMENCLATURE OR DESCRIPTION	CODE IDENT	PART OR IDENTIFYING NO.	SPECIFICATION	MATERIAL OR NOTE	UNIT WT	ZONE	ITEM NO.
									12
10		WASHER, FLAT	81352	AN960B616	AN960	BRASS			11
10		COVER BOLT	57626	74031-5	MIL-E-24142	BRASS			10
4		RHMS, 6-32 x 1/4			COM'L	BRASS			9
1		INFO PLATE	57626	100305-3	MIL-T-24558	BRASS			8
1		INFO PLATE, BLANK	57626	100305-1		BRASS			7
4		WASHER, IQ, EXT. TOOTH			COM'L	BRONZE			6
4		RHMS, 10-24 x 7/8			COM'L	BRASS			5
2		TERMINAL BOARD	81349	6TB24	MIL-T-55164/12				4
1		GASKET	57626	100146-1	MIL-E-24142/6	RUBBER			3
1		COVER WELDMENT	57626	200174-101	MIL-E-24142/6	BRASS			2
1		BOX WELDMENT	57626	200140	MIL-T-24558/6	BRASS			1

LIST OF MATERIALS OR PARTS LIST

UNLESS OTHERWISE SPECIFIED DIMENSIONS ARE IN INCHES TOLERANCES ON FRACTIONS DECIMALS ANGLES ± 1/64 ± .005		DRAWING STARTED DATE	COMSACO, INC. NORFOLK, VA 23513 TERMINAL BOX ASSY SYM 522.1		
MATERIAL:		DRAWN MAY 3-88			
FINISH: INTERIOR ONLY WHITE ENAMEL PER TT-E-489		CHECKED <i>lwh</i> 5/4/88	ENGR	SIZE CODE IDENT NO. D 57626 404-522.1	REV
SYMBOL	APPLICATION	SCALE 1/2		SHEET 1 OF 1	