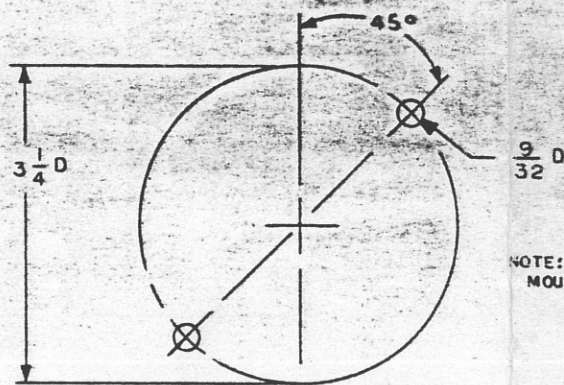
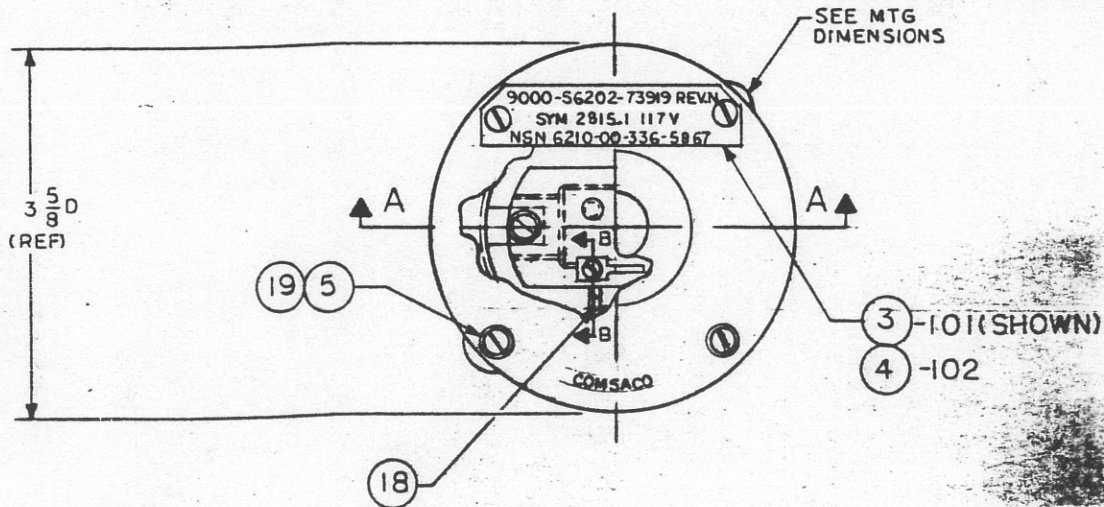


BEND WIRE TERMINAL, AS SHOWN, AFTER INSTALLATION OF INSULATING SLEEVE, PC 18.

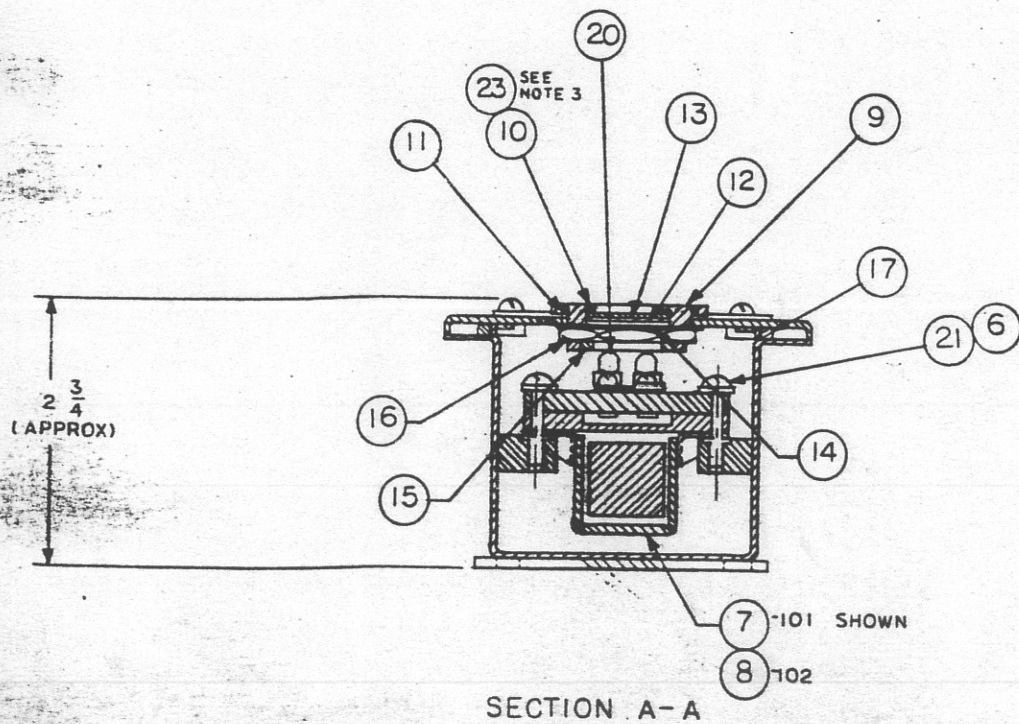
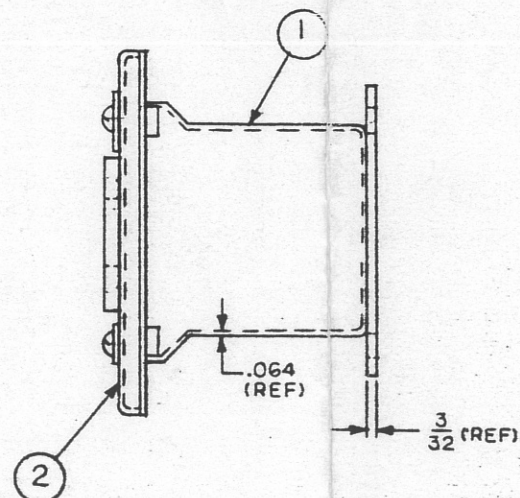
**SECTION B-B**

FOR INSTALLING ACTIVITIES ONLY.



**MOUNTING DIMENSIONS**

NOTE: MOUNTING BOLTS TO BE 1/4 - 20



**NOTES**

- THIS DWG WAS DEVELOPED FROM DWG NO. 9000-56202-73919, REV. N.
- THE FOLLOWING PARTS ARE BAGGED AND SHIPPED LOOSE WITHIN THE ENCLOSURE: PCS 10, 12, 13, 15, 18 AND 20.
- LENS, PC 23 WILL BE FURNISHED ONLY WHEN ORDERED. ONE LENS REQUIRED, SPECIFY COLOR.
- RATINGS: SYM 2815.1-117 VAC  
SYM 2815.2-450 VAC  
DEGREE OF ENCLOSURE: WATERTIGHT

		REVISIONS		
ZONE	LTR	DESCRIPTION	DATE	APPROVED

QTY REQD	QTY	NOMENCLATURE OR DESCRIPTION	CODE IDENT	PART OR IDENTIFYING NO.	SPECIFICATION	MATERIAL OR NOTE	UNIT WT	ZONE	ITEM NO.
1	1	LENS, PLASTIC	56906		MS17153				25
									24
									23
									22
2	2	RHMS, 8-32 x 3/4			COM'L	BRASS			21
2	2	LAMP, TYPE TS-159	96908	MS15612-3	MS15612				20
2	2	WASHER, #8, FLAT			COM'L	BRASS			19
2	2	INSUL SLEEVE, 1/2" LONG	81349	SIZE 7	MIL-I-3190	PLASTIC			18
1	1	GASKET, O-RING	81349	MS28775-231	MIL-P-25732	RUBBER			17
1	1	NUT, 1/4-12 NF-2	57626	73919-14	9-S-73919-14	BRASS			16
1	1	LOCKING RING	57626	73919-48	9-S-73919-48	BRASS			15
1	1	SLIP RING, LARGE	57626	100266	9-S-73919-15	BRASS			14
1	1	MARKER DISC, BLANK	57626	100269	9-S-73919-45	BRASS			13
1	1	SLIP RING, SMALL	57626	100267	9-S-73919-47	BRASS			12
1	1	O-RING	57626	MS28775-026	MIL-P-25732	RUBBER			11
1	1	GASKET, LENS	57626	100268	9-S-73919-46	RUBBER			10
1	1	LENS HOLDER	57626	73919-44	9-S-73919-44	BRASS			9
1	1	LIGHT UNIT ASSY, 450V	57626	73919-4	9-S-73919-4				8
1	1	LIGHT UNIT ASSY, 117V	57626	73919-3	9-S-73919-3				7
2	2	WASHER #8 INT TOOTH, LOCKING			COM'L	BRONZE			6
4	4	RHMS, 8-32 x 1/2			COM'L	BRASS			5
1	1	ID PLATE	57626	73919-16.2	9-S-73919-16	BRASS			4
1	1	ID PLATE	57626	73919-16.1	9-S-73919-16	BRASS			3
1	1	COVER WELDMENT	57626	200180	9-S-73919-2	BRASS			2
1	1	BOX WELDMENT	57626	200179	9-S-73919-1	BRASS			1

UNLESS OTHERWISE SPECIFIED DIMENSIONS ARE IN INCHES TOLERANCES ON		DRAWING STARTED		DATE	
FRACTIONS	DECIMALS				
+1/64	+0.05				
MATERIAL:		CHECKED			
		ENGR			
FINISH: INTERIOR ONLY; WHITE ENAMEL PER TT-E-489					
		SIZE	CODE IDENT NO.		REV
		D	57626	404-2815.1.2	
		SCALE			SHEET 1 OF 1

COMSACO MARINE CORP  
WESTHAMPTON BEACH, NY 11978  
ASSY, INDICATOR LIGHT  
SYM 2815.1/117 VOLTS  
SYM 2815.2/ 450 VOLTS

404-2815.1.2

A