

REVISIONS				
ZONE	REV	DESCRIPTION	DATE	AUTH
---	A	ADDED: ITEM 24, FIG LTRS FOR WD, GPS 16, 17 & 20.	5/2/88	WW
---	B	REVISED: NAMEPLATE, REVERSED "CIRCUIT 4U/5U WITH CEASED FIRING"	2/8/99	WW
---	C	CHANGED: P/N 74055-# TO 200421-# ON NAMEPLATE SECTION.	3/17/99	WW
---	D	CHANGED: PC1 WAS 74055-BOX, PC2 WAS 74055-2C. DELETED: NOTE 1 & 3, PC 10 & 11. REVISED: FIGURES TO MIL-S-15743/17. ECO: 1014.	10/17/01	AW
---	E	ADDED: NOTE 4. ECO: 1116.	5/21/02	AW
ALL	F	ADDED: NOTES 5, 6, 7 & 8. DELETED: WIRE SEGMENTS & CONN STRIP FROM PARTS LIST. REVISED: DWG INTO CAD FORMAT.	9/21/07	WW
SHT 2	G	ADDED: TERMINAL DESIGNATIONS, TERMINAL SCREW SIZE. AUTH: MFR REQ.	4/23/14	RLF

COMSACO P/N	NAMEPLATE		PAINT COLORS FOR NAMEPLATES & COVERS		GROUP NO.	WIRING DIAGRAM		HANDLE ASSY		LOCKING PLATE	
	MARKING	P/N	SURFACE SHIPS	SUBMARINES		NAVSHIPS 9-S-74055H	MIL-DTL-15743/17B	FIG	PART NO	SHAPE	P/N
SYM 2638.1-9	FIRE ROOM EMERGENCY	200421-102	-	-	SYM 2638.1, GROUP 9	SEE SHT 2	12	400107	PLAIN	74055-3	RIGHT
SYM 2638.1-10*	GENERAL ALARM	-103	RED	YELLOW			13			-4	LEFT
SYM 2638.1-11	INTRATURRET ALARM	-104	-	-						-3	RIGHT
SYM 2638.1-12	STEERING EMERGENCY	-105	-	-						-4	LEFT
SYM 2638.1-13	FLIGHT CRASH	-106	-	-						-4	LEFT
SYM 2638.1-14	FLIGHT DECK WARNING	-107	-	-						-4	LEFT
SYM 2638.1-15	CHEMICAL ATTACK	-108	GREEN	-						-5	BOTH
SYM 2638.1-18*	COLLISION ALARM	-111	YELLOW	RED				400109	STAR	-4	LEFT
SYM 2638.1-19	DIVING ALARM	-112	-	GREEN				400108	SQUARE	-4	
SYM 2638.1-21	SONAR ALARM	-113	YELLOW	-				400107	PLAIN	-4	
SYM 2638.1-22	ROCKET AND TORPEDO WARNING	-114	-	-				400107	PLAIN	-4	
SYM 2638.1-24*	POWER PLANT ALARM	-115	WHITE	PINK				400110	"T"	-4	
SYM 2638.1-25	MISSILE JETTISON ALARM	-116	BLUE	BLUE				400111	CROWN	-4	
SYM 2638.1-26	MISSILE EMERGENCY ALARM	-117	ORANGE	ORANGE				400111	CROWN	-4	
SYM 2638.1-16	HEAVY MACHINE GUN CEASE FIRING CIRCUIT 4U	-109	-	-			12,13,14	400107	PLAIN	-4	↓
SYM 2638.1-17	LIGHT MACHINE GUN CEASE FIRING CIRCUIT 5U	-110	-	-						-4	LEFT
SYM 2638.1-20	-	-101	-	-						-5M	NONE
SYM 2638.1-27	DANGER I.F.F. DESTRUCT	-118	-	-						-4	LEFT

Parts List			
ITEM	QTY	PART NUMBER	DESCRIPTION
1	1	200242	BOX WELDMENT, BRASS, 5" RND
2	1	200243	COVER WELDMENT, BRASS, 5" RND
3	1	200421-SEE TABLE	NAMEPLATE, BRASS
4	1	74055-SEE TABLE	LOCKING PLATE, BRASS
5	1	74055-SEE TABLE	HANDLE ASSEMBLY
6	1	MS28775-245	GASKET, COVER, RUBBER "O" RING
7	1	MS28775-012	GASKET, SHAFT, RUBBER, "O" RING
8	1	JRM-300	SWITCH, ROTARY, 125VAC, 10A, M21604/7
9	1	74055-13	SPRING, LOCKING PLATE, BRASS
10	1	74055-14	HINGE PIN, BRASS
11	1	WD-2638	WIRING DIAGRAM, LAMINATED PAPER, SHT 2
12	1	73055-16	COTTER PIN, BRASS, 1/16" OD
13	4	X-FHM-BRS-024-313	SCREW, FHM, BRASS, 10-24 X 5/16", 82 DEG
14	8	X-RHM-BRS-024-500	SCREW, RHM, BRASS, 10-24 X 1/2"
15	1	X-RHM-BRS-832-250	SCREW, RHM, BRASS, 8-32 X 1/4"
16	1	X-ELW-BRS-8	WASHER, EXT TOOTH, BRASS, #8
17	4	X-NUT-BRS-10	NUT, HEX, BRASS, 10-24
18	4	X-ELW-PHB-10	WASHER, EXT TOOTH, PHOS-BRZ, #10
19	8	X-FLW-BRS-10	WASHER, FLAT, BRASS, #10
20	1	X-NUT-BRS-632	NUT, HEX, BRASS, 6-32
21	1	X-ILW-PHB-6	WASHER, INT TOOTH, PHOS-BRZ, #6
22	1	X-FLW-BRS-8	WASHER, FLAT, BRASS, #8

* ADD FIRST LETTER OF COVER COLOR AFTER PART #. (EXAMPLE SYM 2638.1-10R)

THIS DRAWING/DOCUMENT CONTAINS INFORMATION WHICH IS PROPRIETARY TO AND PROPERTY OF COMSACO, INC. IT IS DISTRIBUTED WITH THE UNDERSTANDING THAT IT WILL BE RETAINED IN CONFIDENCE AND WILL NEITHER BE DUPLICATED NOR COPIED IN WHOLE OR IN PART NOR USED FOR ANY PURPOSE OTHER THAN THAT FOR WHICH DISCLOSED WITHOUT EXPRESS WRITTEN PERMISSION FROM COMSACO, INC.

UNLESS OTHERWISE SPECIFIED DIMENSIONS ARE IN INCHES TOLERANCES ARE: FRACTIONS DECIMALS ANGLES +/- 1/64 .XX .XXX .005

REDRAWN
CHRIS WINDLEY 7/9/2007

ORIGINAL
W WESTHOFF 4/4/1988

QA

MFG

APPROVED

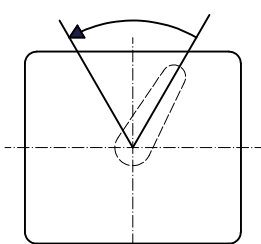
COMSACO, INC.
NORFOLK, VA. 23502

TITLE
**CONTACT MAKER ASSEMBLY,
SYM 2638.1 GROUP 9-22, 24-27**

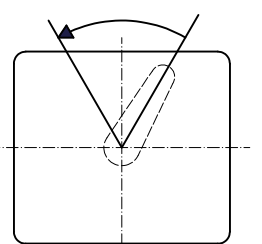
SIZE CODE IDENT NO DWG NO REV
D 57626 404-2638.1 G

SCALE SHEET 1 OF 2

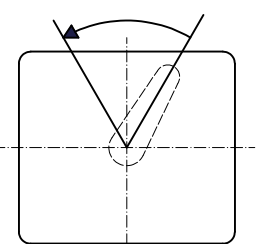
NEXT ASSY	USED ON
-----------	---------



SYMBOL 2638.1



SYMBOL 2638.1



SYMBOL 2638.1

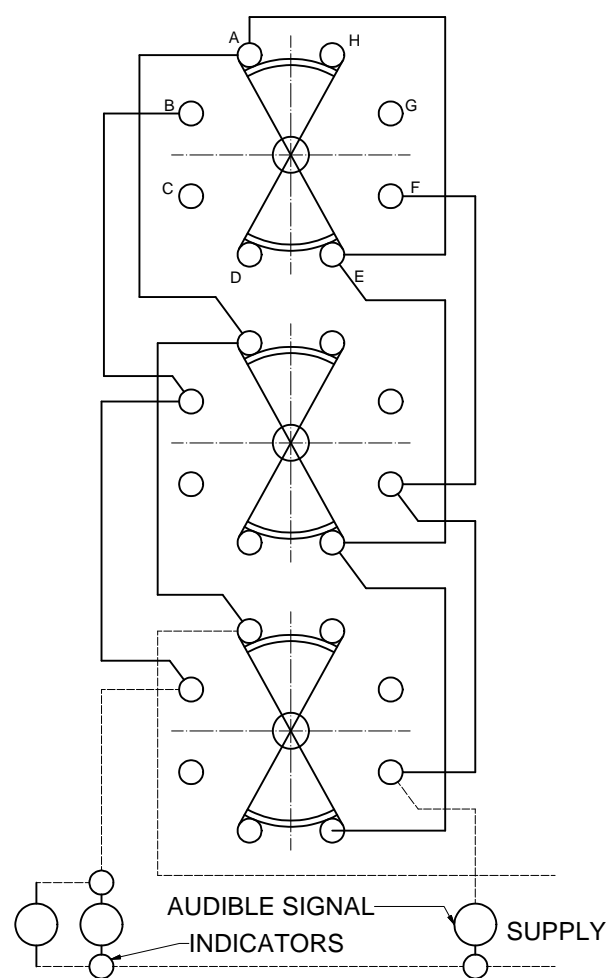


FIGURE 12

(9) JUMPERS TO BE INSTALLED BY INSTALLING ACTIVITY.

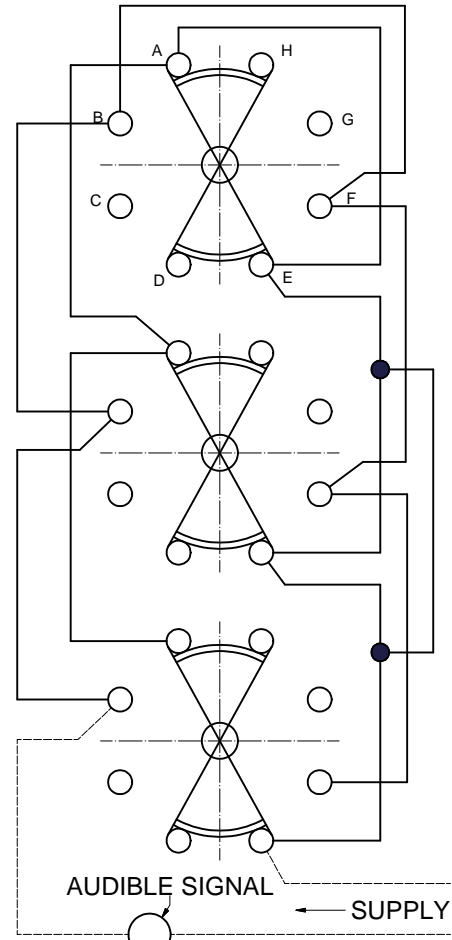


FIGURE 13

(10) JUMPERS TO BE INSTALLED BY INSTALLING ACTIVITY.

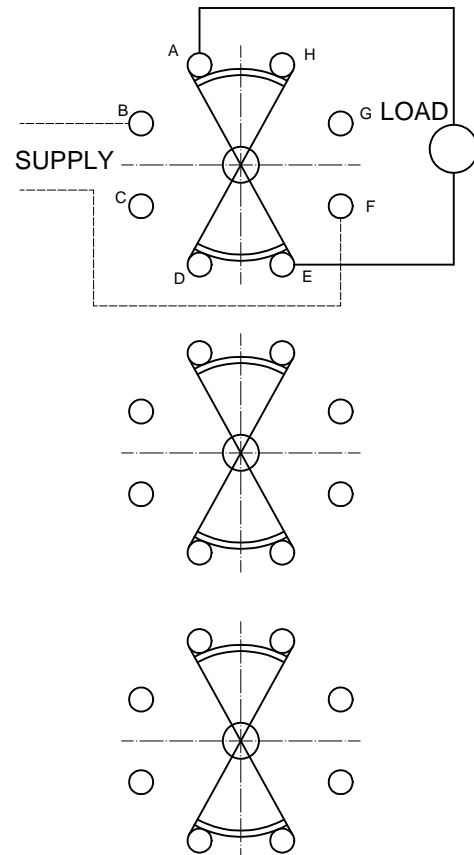


FIGURE 14

NOTES:

1. TERMINAL SCREWS, LOCKWASHERS, ITEM 10 AND ITEM 11 SHALL NOT BE MOUNTED, BUT SHALL BE FURNISHED SEPARATELY.
2. RATINGS AND SPECIFICATIONS:
 - A) 125 VOLTS, 10 AMPS, 60 HZ.
 - B) DEGREE OF ENCLOSURE: SUBMERSIBLE 15 FEET.
 - C) WEIGHT: 4 LBS MAX.
3. NAMEPLATE MARKINGS WILL BE FILLED WITH BLACK ENAMEL OR ENGRAVERS "CRAYON".
4. PAINT HANDLES FOR SUBMARINE UNITS.
5. THIS DRAWING DEVELOPED FROM NAVSHIPS DWG 9-S-74055H AND MIL-DTL-15743/17B.
6. SYMBOL 2638.1-10 TESTED UNDER AERONAV LABORATORIES TEST REPORT 8-9795-13 HAS PASSED SHOCK AND VIBRATION TESTING DATED 22 JULY 1988.
 - TESTS INCLUDED:
 - A) VIBRATION PER MIL-STD-167 TYPE I, EXPLORATORY, VARIABLE AND ENDURANCE UP TO 25HZ.
 - B) SHOCK PER MIL-S-901C: LIGHTWEIGHT HIGH IMPACT, GRADE A, CLASS I, TYPE A, BULKHEAD MOUNTED, BACK MTG PLANE, FIXTURE 4A.
7. GENERAL DYNAMICS HAS APPROVED SHOCK AND EXTENSION REQUEST FOR SYMBOL 2638.1-10, 19 AND 24 PER PMS350 LETTER, SER 350A/3607 DATED 12 MAY 1992.
8. THE NSN SHOWN IS FOR THE VERSION WITH THE BLANK NAMEPLATE AND LOCKING PLATE AND PLAIN HANDLE (GROUP 20). THIS IS THE ONLY VERSION STOCKED IN THE SUPPLY SYSTEM BUT OTHER NSN'S MAY BE ASSIGNED.

NOTE: WIRING DIAGRAMS ARE REAR VIEW OF SWITCH, HANDLE MOVES " RIGHT ON" (AS VIEWED FROM FRONT OF SWITCH).
 TERMINAL SCREWS ARE 5-40 X 1/2" LG W/LOCKWASHERS, SUPPLIED UNASSEMBLED.

THIS DRAWING/DOCUMENT CONTAINS INFORMATION WHICH IS PROPRIETARY TO AND PROPERTY OF COMSACO, INC. IT IS DISTRIBUTED WITH THE UNDERSTANDING THAT IT WILL BE RETAINED IN CONFIDENCE AND WILL NEITHER BE DUPLICATED NOR COPIED IN WHOLE OR IN PART NOR USED FOR ANY PURPOSE OTHER THAN THAT FOR WHICH DISCLOSED WITHOUT EXPRESS WRITTEN PERMISSION FROM COMSACO, INC.	REDRAWN CHRIS WINDLEY 7/9/2007	COMSACO, INC. NORFOLK, VA. 23502
	ORIGINAL W WESTHOFF 4/4/1988	
UNLESS OTHERWISE SPECIFIED DIMENSIONS ARE IN INCHES TOLERANCES ARE: FRACTIONS DECIMALS ANGLES +/- 1/64 .XX .XXX .005	QA MFG APPROVED	TITLE CONTACT MAKER ASSEMBLY, SYM 2638.1 GROUP 9-22, 24-27
NEXT ASSY	USED ON	SIZE CODE IDENT NO DWG NO REV D 57626 404-2638.1 G
		SCALE SHEET 2 OF 2