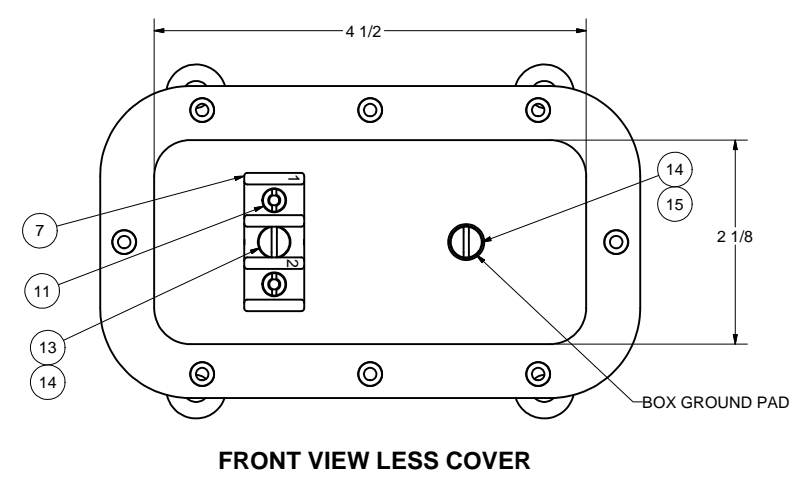
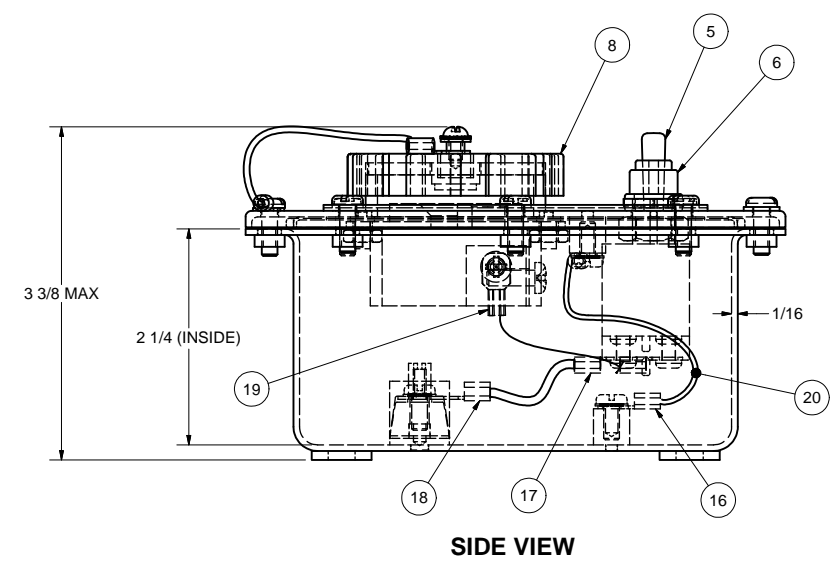
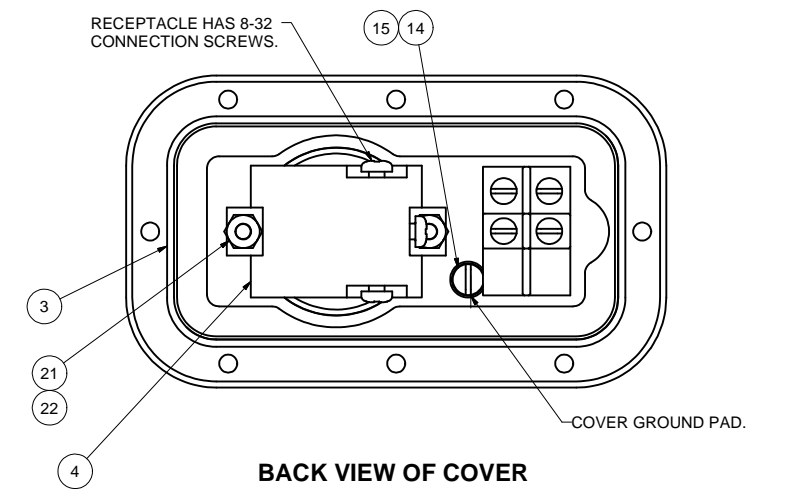
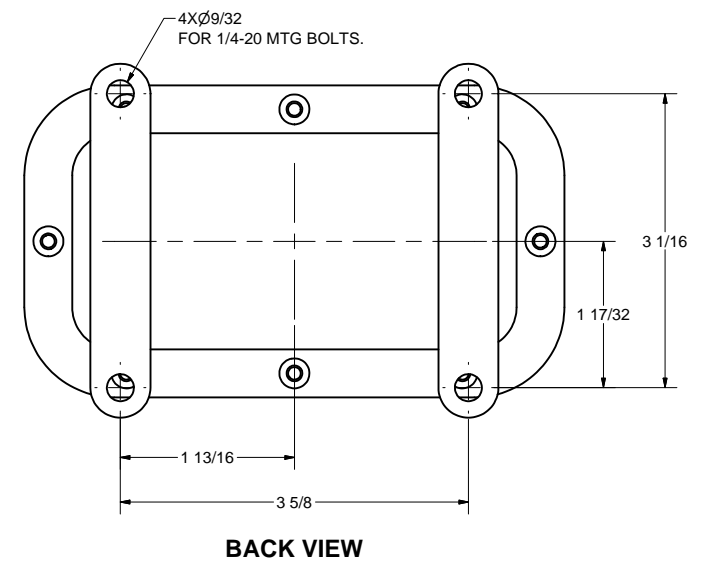
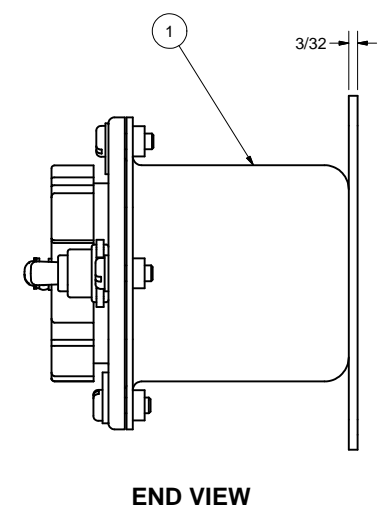
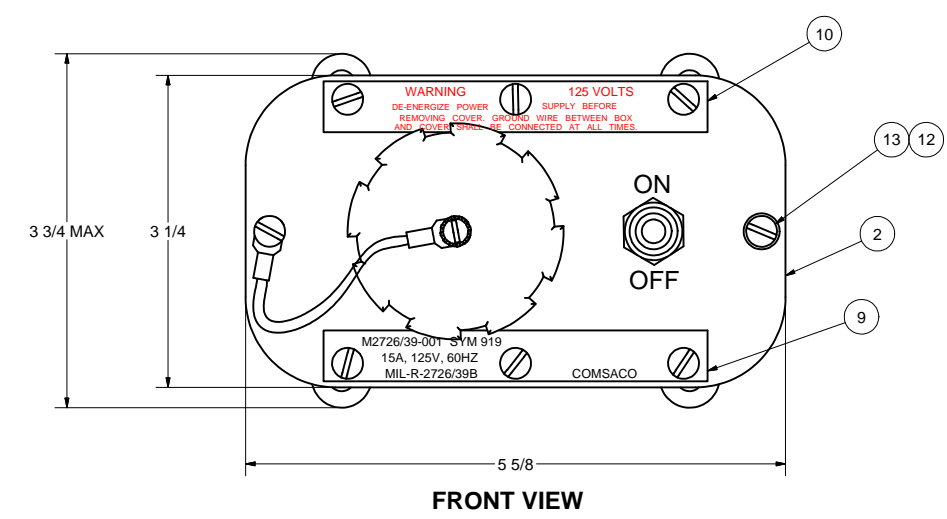
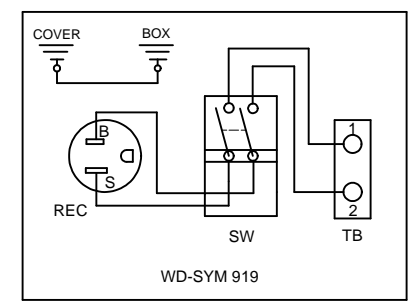


8 7 6 5 4 3 2 1

ZONE		REV	REVISIONS DESCRIPTION	DATE	AUTH
1A	4A	A	CHANGED: ITEM 15 WAS 3/8" LONG. REVISED: WD-SYM 919, RECEPTACLE FACE UPDATED. CONNECTIONS REMAINED THE SAME. AUTH: DWG ERROR.	6/22/09	AW
1C		B	REVISED: GROUND PAD LOCATION, WAS 1/2" OPP SIDE CL. AUTH: DWG ERROR.	7/29/09	AW
6D		C	DELETED: "CI" STAMPING FROM COVER. AUTH: ECO 1387.	9/9/09	AW



Parts List			
ITEM	QTY	PART NUMBER	DESCRIPTION
1	1	200327	BOX WELDMENT, BRASS, 2-1/8 X 4-1/2
2	1	200328	COVER WELDMENT, BRASS, 2-1/8 X 4-1/2
3	1	MS27885-242	"O" RING COVER GASKET, RUBBER
4	1	M2726-37-001-1	RECEPTACLE, SINGLE, 125VAC, 15A
5	1	MS24524-24	SWITCH, TOGGLE, DPST, 125V, 15A
6	1	N1030B	BOOT, SW, RUBBER
7	1	9TB2	TERMINAL BOARD, 2T, 300V, 35A, A-A-59125/15
8	1	400179-101	CAP ASSEMBLY, PLASTIC
9	1	100435	ID PLATE, BRASS, ENGRAVED
10	1	100436	WARNING PLATE, BRASS, ENGRAVED
11	2	101250-3	NUT, BARREL, BRASS, 6-32
12	1	X-FLW-BRS-8	WASHER, FLAT, BRASS, #8
13	9	X-RHM-BRS-832-500	SCREW, RHM, BRASS, 8-32 X 1/2"
14	3	X-ILW-PHB-8	WASHER, INT TOOTH, PHOS-BRZ, #8
15	2	X-RHM-BRS-832-313	SCREW, RHM, BRASS, 8-32 X 5/16"
16	2	MS25036-153	LUG, TERMINAL, RING, 18-14AWG, #8 STUD
17	4	MS25036-106	LUG, TERMINAL, RING, 18-14AWG, #6 STUD
18	2	MS21004-11	LUG, TERMINAL, RECT., 18-14 AWG, #6 STUD
19	2	RB-1123	LUG, TEMINAL, FORKED, 18-14AWG, #8 STUD
20	A/R	B-14 GREY	WIRE, GREY, 14AWG, 600V, M16878-1BKE8
21	2	X-NUT-SS-832-250	NUT, HEX, CRES, 8-32, SMALL BODY
22	2	X-ILW-CRES-8	WASHER, INT TOOTH, CRES, #8
23	1	WD-919	WIRING DIAGRAM, LAMINATED PAPER



(23) SUPPLIED LOOSE IN ENCLOSURE.

- NOTES:**
- THIS DRAWING DEVELOPED FROM MIL-DTL-2726/39B.
 - RATINGS AND SPECIFICATIONS:
 - 125 VOLTS, 15 AMPS, 60HZ.
 - DEGREE OF ENCLOSURE: WATERTIGHT PER MIL-STD-108.
 - WEIGHT: 1.75 LBS.
 - UNLESS OTHERWISE SPECIFIED, CABLE ENTRANCE DEVICES WILL BE PROVIDED AND INSTALLED BY THE INSTALLING ACTIVITY.
 - THIS EQUIPMENT TESTED UNDER COMSACO TEST REPORT SV-1046 AND EAST WEST TECHNOLOGY CORP REPORT 32895-1 DATED 15 DEC 1992 HAS PASSED SHOCK AND VIBRATION TESTING. APPROVED BY SUPSHIP CONVERSION AND REPAIR USN BATH, LTR 9072, SER 254/2505, DATED 19 MAR 1993. TESTS INCLUDED:
 - VIBRATION PER MIL-STD-167 TYPE I, EXPLORATORY AND ENDURANCE UP TO 15HZ.
 - SHOCK PER MIL-S-901C: LIGHTWEIGHT HIGH IMPACT, GRADE A, CLASS I, TYPE A, BULKHEAD MOUNTED, BACK MTG PLANE, UNRESTRICTED ORIENTATION.
 - EFFECTIVENESS OF ENCLOSURE PER MIL-STD-108, (WATERTIGHT)
 - INSTALLED RECEPTACLE MATES WITH PLUG M2726/38-001 PER MIL-DTL-2726/38.

THIS DRAWING/DOCUMENT CONTAINS INFORMATION WHICH IS PROPRIETARY TO AND PROPERTY OF COMSACO, INC. IT IS DISTRIBUTED WITH THE UNDERSTANDING THAT IT WILL BE RETAINED IN CONFIDENCE AND WILL NEITHER BE DUPLICATED NOR COPIED IN WHOLE OR IN PART NOR USED FOR ANY PURPOSE OTHER THAN THAT FOR WHICH DISCLOSED WITHOUT EXPRESS WRITTEN PERMISSION FROM COMSACO, INC.

UNLESS OTHERWISE SPECIFIED DIMENSIONS ARE IN INCHES
TOLERANCES ARE:
FRACTIONS DECIMALS ANGLES
+/- 1/64 .XXX .005

DRAWN: CHRIS WINDLEY 3/19/2009
CHECKED: []
QA: []
MFG: []
APPROVED: W WESTHOFF 3/30/2009

COMSACO, INC.
NORFOLK, VA. 23502

**RECEPTACLE AND SWITCH ASSY,
125VAC, 15A, WT, SYMBOL 919**

SIZE: D 57626
CODE IDENT NO: 404-919
DWG NO: []
REV: C

SCALE: [] SHEET 1 OF 1

NEXT ASSY	USED ON
-----------	---------

8 7 6 5 4 3 2 1