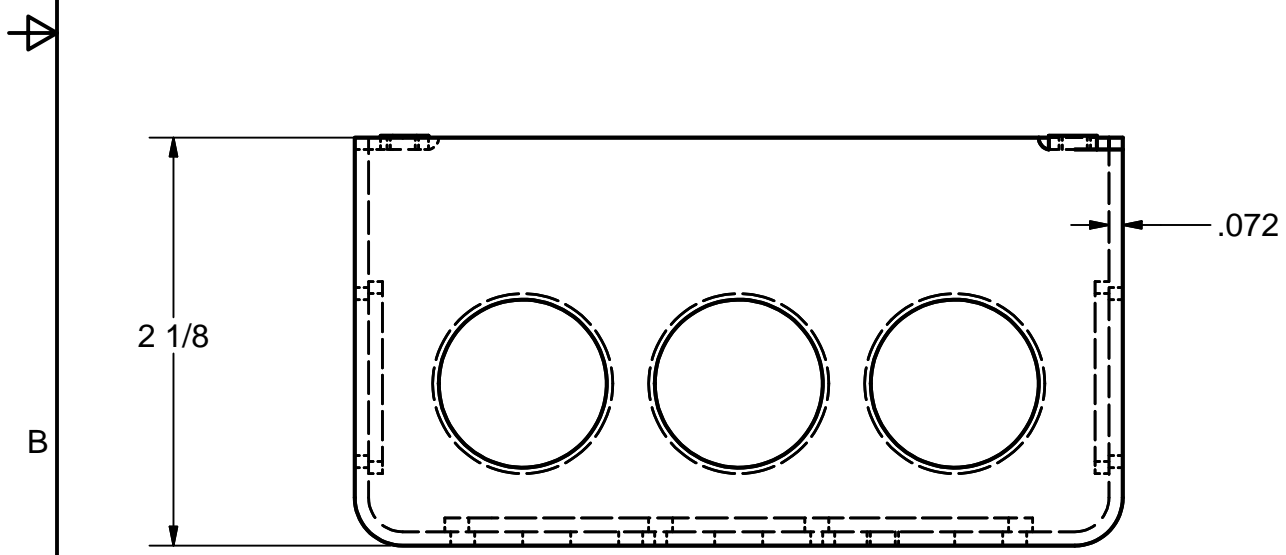


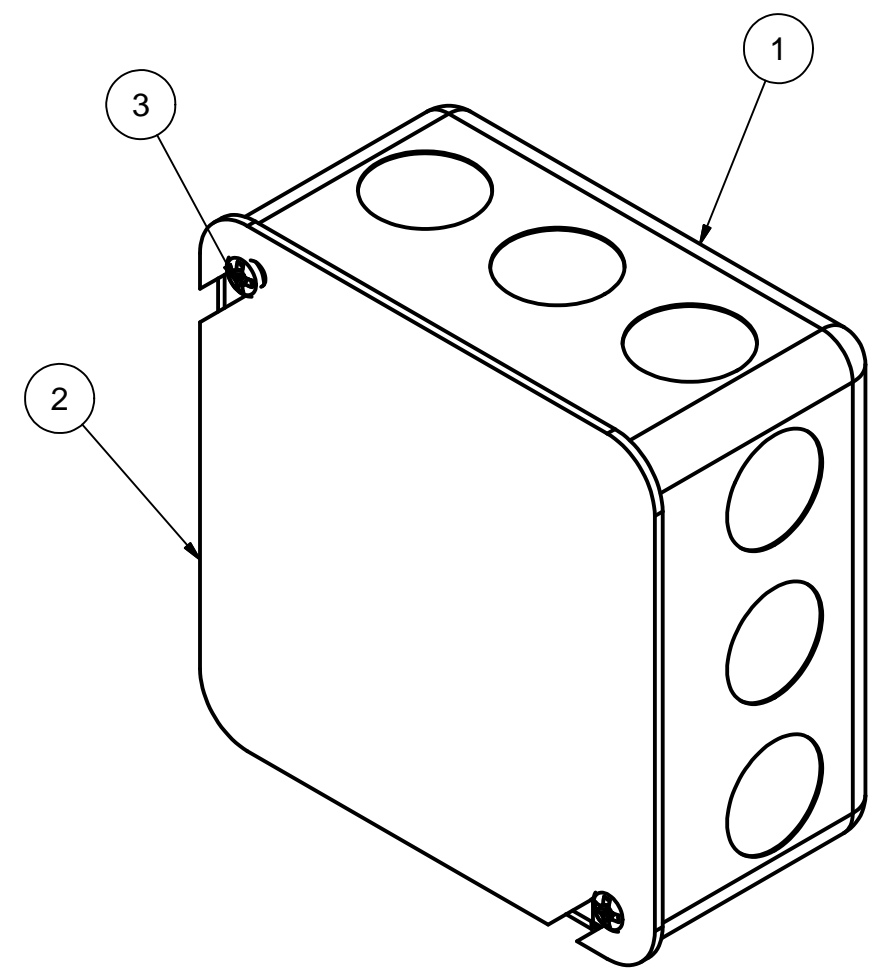
TOP VIEW

ISO FRONT

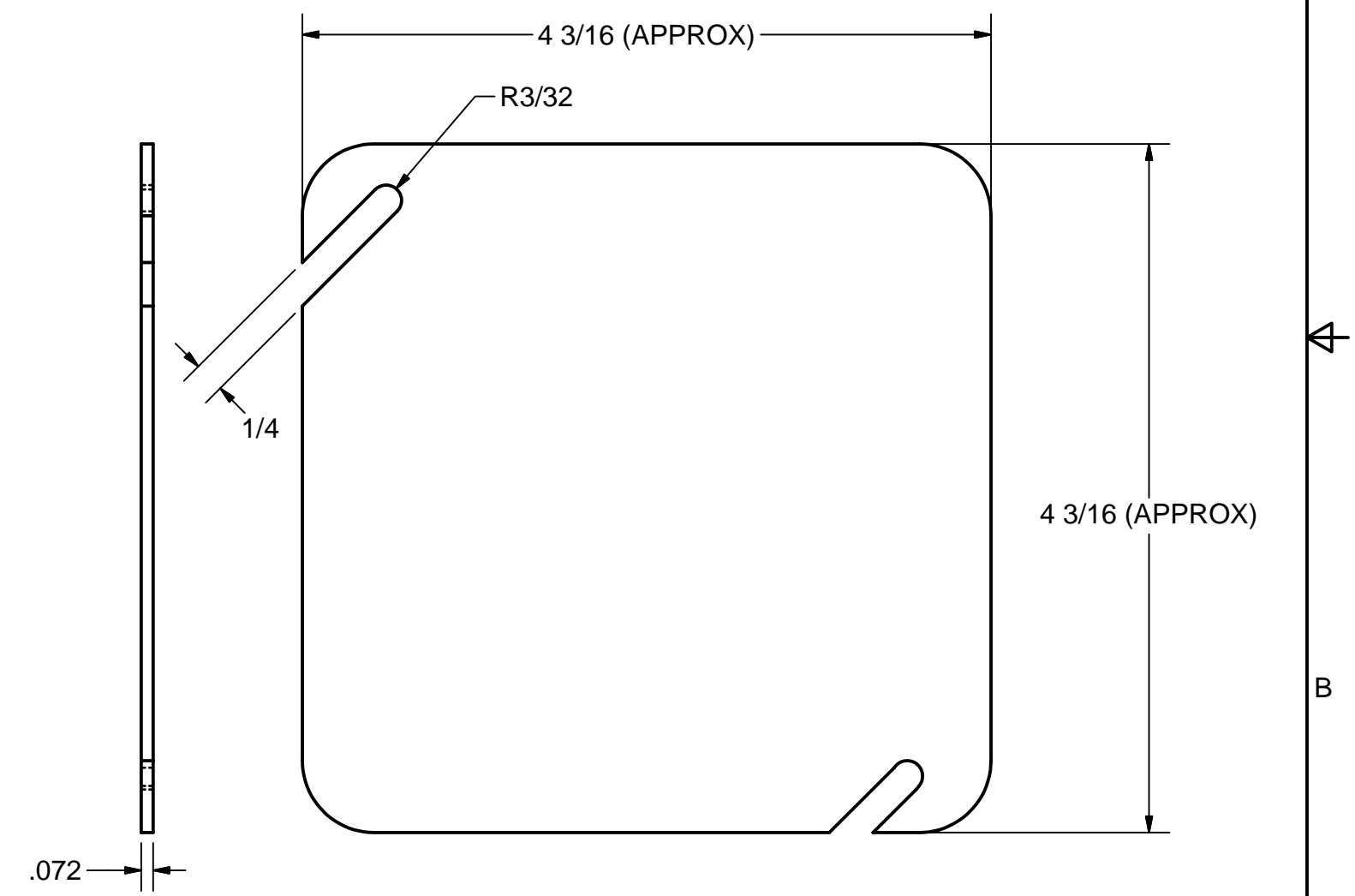
ISO VIEW



SIDE VIEW



ISO FRONT W/COVER



SIDE VIEW

COVER

- NOTES:**
1. THIS DRAWING WAS DEVELOPED FROM NAVSHIPS DWG 9-S-73980 METHOD 3575 AND NAVSEA DWG 803-5184170 METHOD G-7-E/2.
 2. BOX CONTAINS (15) 7/8" KNOCKOUTS FOR 1/2" CONDUIT AND (2) 1 1/8" KNOCKOUTS FOR 3/4" CONDUIT.
 3. SYM 406.1 HAS BEEN ACCEPTED AS MEETING SHOCK REQUIREMENTS OF MIL-S-901C ON THE BASIS OF APPROVAL OF EXTENSION FROM SYM 406.2 WHICH WAS APPROVED BY SUPSHIPS BATH LETTER 9072 SER 254/2721 DATED 21 APR 1988.

	SYM 406.1
NEXT ASSY	USED ON

UNLESS OTHERWISE SPECIFIED
DIMENSIONS ARE IN INCHES
TOLERANCES ARE:
FRACTIONS DECIMALS ANGLES
+/- 1/64 .XX
.XXX .005

Parts List			
ITEM	QTY	PART NUMBER	DESCRIPTION
1	1	100694	4 X 4 X 2-1/8" BOX, .072" THK GALVANIZED STEEL
2	1	100695	4-3/16 X 4-3/16 COVER, .072" THK GALVANIZED STEEL
3	2	COMMERCIAL	8-32 X 1/2" ZP-STL SCREW FURNISHED W/PC1

DRAWN CHRIS WINDLEY 1/23/01		COMSACO, INC. NORFOLK, VA. 23502	
CHECKED WALTER WESTHOFF 1/25/01			
TITLE 4 X 4 X 2 1/8 GAL STEEL BOX FOR SYM 406.1			
SIZE C	DWG NO 404-406.1	REV —	
SCALE	SHEET 1 OF 1		