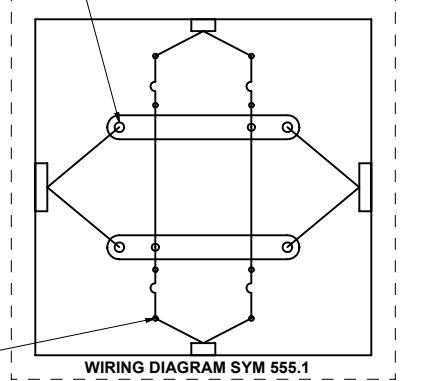
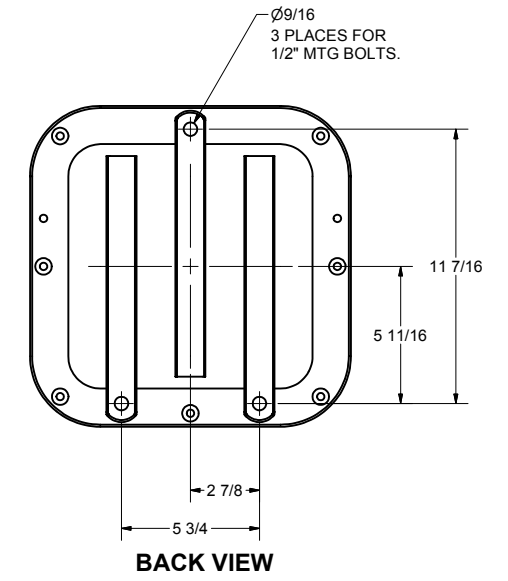
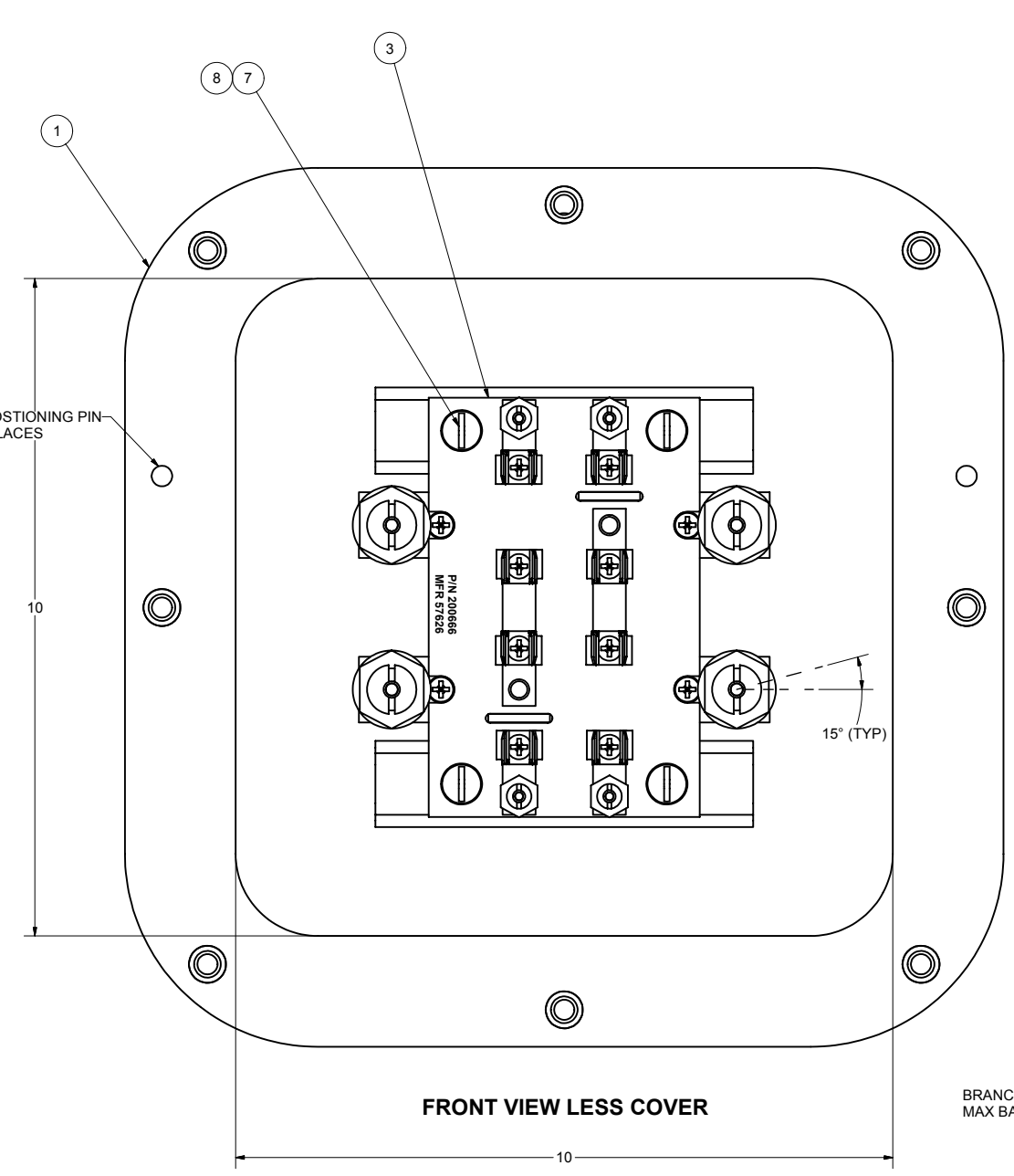
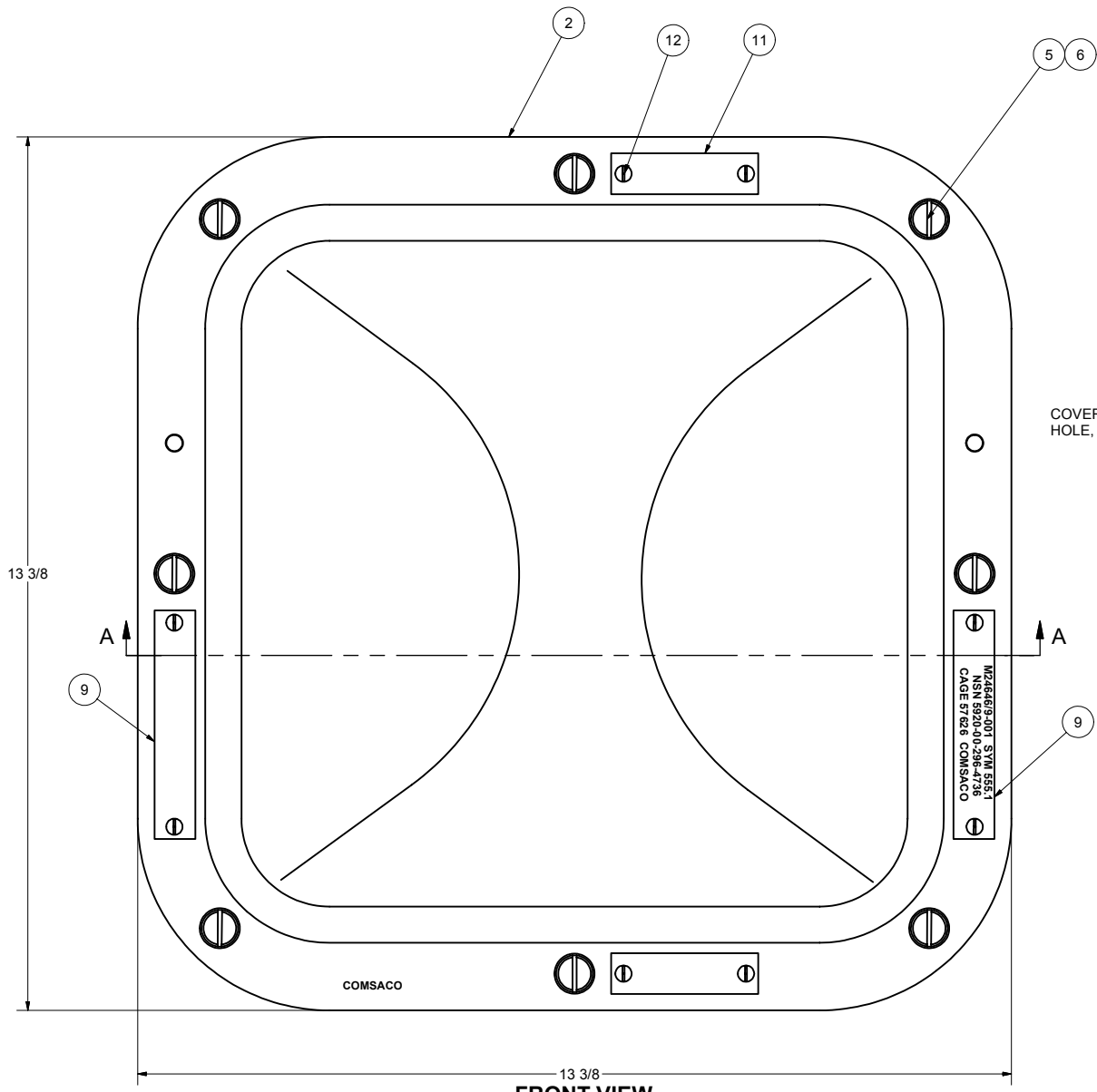
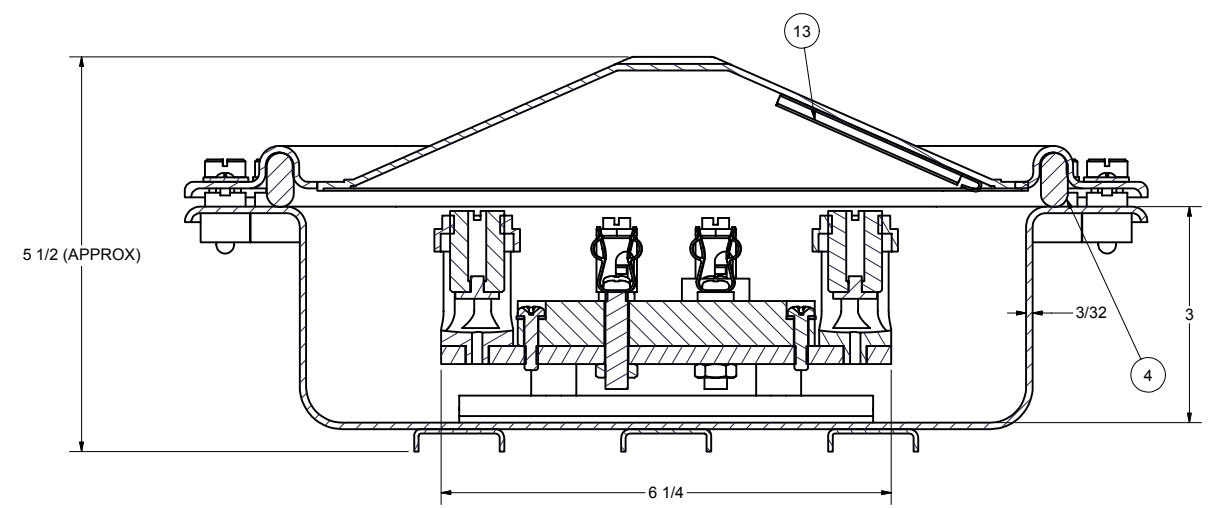


REVISIONS			
ZONE	REV	DESCRIPTION	AUTH



MAIN TERMINALS DESIGNED ON MAX BASIS OF 200 MCM CABLE.

BRANCH TERMINALS DESIGNED ON MAX BASIS OF 40 MCM CABLE.



- NOTES:
- THIS DRAWING DEVELOPED FROM BUSHIPS DWG 9-S-74165 AND MIL-DTL-24646/9A.
  - SPECIFICATIONS AND RATINGS:  
2 CIRCUIT, 250VAC, 1 PHASE LINE, 30 AMPS MAX, FEEDER SIZE 200 MCM, BRANCH CABLE SIZE 40 MCM. USES FUSES TYPES F07, F09 OR F10 PER MIL-PRF-15160. DEGREE OF ENCLOSURE IS 15 FT. SUBMERSIBLE.
  - QUALITY CONFORMANCE INSPECTIONS REFERENCE MIL-F-24646A PARA. 4.4.
  - TOTAL WEIGHT IS 21 LBS.

ITEM	QTY	PART NUMBER	DESCRIPTION
1	1	200664	BOX WELDMENT, BRASS, 10 X 10 X 3
2	1	200665	COVER WELDMENT, BRASS, 10 X 10 DOMED
3	1	400169-101	FUSE PANEL SUB-ASSY, 5/8" GPO3
4	1	100146-3	GASKET, COVER, RUBBER
5	8	74031-5	SCREW, COVER, BRASS, 3/8-16 X 1-1/8"
6	8	AN960B616	WASHER, FLAT, BRASS, 3/8
7	4	X-RHM-SS-618-750	RHMS, CRES, SLOTTED, 5/16-18 X 3/4"
8	4	X-ILW-CRES-618	WASHER, INT TOOTH, CRES, 5/16
9	1	100260-555.1	NAMEPLATE, BRASS, SYM 555.1
10	1	100260-1	NAMEPLATE, BRASS, BLANK
11	2	74031-25	ID PLATE, BRASS, BLANK
12	8	X-RHM-BRS-632-250	RHMS, BRASS, 6-32 X 1/4"
13	1	WD-SYM 555.1	WIRING DIAGRAM

DRAWN	CHRIS WINDLEY	9/15/2004
CHECKED	W WESTHOFF	9/16/2004
QA		
MFG		
APPROVED		

**COMSACO, INC.**  
NORFOLK, VA. 23502

**FUSE PANEL, BRASS, 2 CKT, 1 PHASE, SBM, SYM 555.1**

SIZE: D 57626 CODE IDENT NO: 404-555.1 DWG NO: REV: -

SCALE: SHEET 1 OF 1

UNLESS OTHERWISE SPECIFIED DIMENSIONS ARE IN INCHES TOLERANCES ARE: FRACTIONS DECIMALS ANGLES +/- 1/64 .XX .XXX .005

NEXT ASSY	SYM 555.1
USED ON	