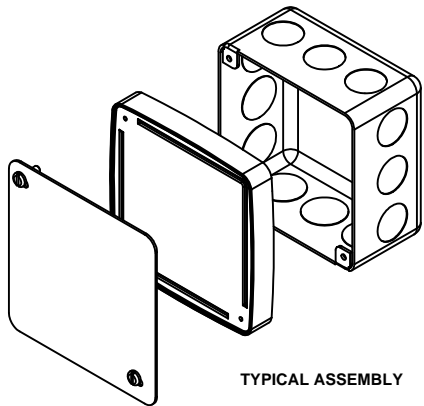
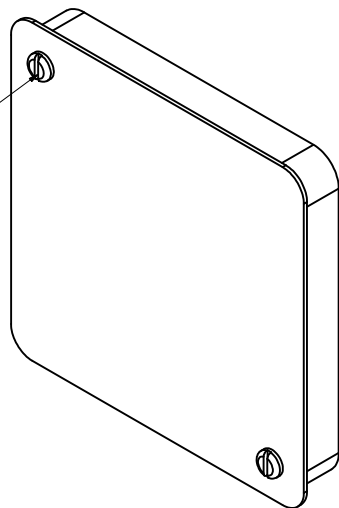


REVISIONS				
ZONE	REV	DESCRIPTION	DATE	AUTH
1A				
1C	A	ADDED: PATENT #, -2 CODE (ALUMINUM).	1/27/10	WW



TYPICAL ASSEMBLY

(2) SCREWS, PHM, CRES, 8-32 X 1/2" PROVIDED WITH COVER.



P/N JBS-108-01-1 SHOWN

A COMPLETE KIT CONSISTS OF SEAL, COVER AND COVER SCREWS.

TABLE

PART NUMBER JBS-108-01-X	
COVER STYLE, MAT'L, COLOR (X)	
CODE	DESCRIPTION
-1	CRES, BRUSHED
-2	ALUMINUM, ANODIZED

Part number for a complete kit consists of:
JBS-108 = Basic configuration, blank seal for 4x4 box.
-01 = Blank 4x4 seal.
-X = Cover style.

Seal and cover may be ordered separately using the above coding system and table by using the "X" characters for parts to be omitted.

NOTES:

- USE OF THE ENVIRONMENTAL SEAL PROVIDES PROTECTION AGAINST THE ENTRY OF DUST(DUST-PROTECTED) AND SPLASHING WATER (ANSI/IEC 60529-2004, IP54) WHEN USED WITH A 4X4 "HANDY BOX" PER W-J-800(A-A-59214) TYPE II.
- INSTALLING ACTIVITIES ARE RESPONSIBLE FOR SEALING CABLE ENTRY, UNUSED KNOCKOUTS AND MOUNTING PROVISIONS IN THE BOX.
- INSTALLATION INSTRUCTIONS:
 - INSTALL THE SEAL ONTO THE BOX MAKING SURE IT IS SEATED PROPERLY.
 - INSTALL THE COVER SECURELY USING THE SCREWS PROVIDED WITH COVER.
 - CHECK FOR PROPER SEAL AND FIT.
- STANDARD COMMERCIALY AVAILABLE COVERS ARE NOT COMPATIBLE WITH THE SEAL DUE TO SIZE AND/OR CLEARANCE REQUIRED FOR THE FACE OF THE SEAL.

SEAL PATENT#, 7,484,973.

THIS DRAWING/DOCUMENT CONTAINS INFORMATION WHICH IS PROPRIETARY TO AND PROPERTY OF COMSACO, INC. IT IS DISTRIBUTED WITH THE UNDERSTANDING THAT IT WILL BE RETAINED IN CONFIDENCE AND WILL NEITHER BE DUPLICATED NOR COPIED IN WHOLE OR IN PART NOR USED FOR ANY PURPOSE OTHER THAN THAT FOR WHICH DISCLOSED WITHOUT EXPRESS WRITTEN PERMISSION FROM COMSACO, INC.

UNLESS OTHERWISE SPECIFIED DIMENSIONS ARE IN INCHES
 TOLERANCES ARE:
 FRACTIONS DECIMALS ANGLES
 +/- 1/64 .XX .XXX .005

DRAWN	CHRIS WINDLEY	1/30/2008
CHECKED	W WESTHOFF	3/11/2008
QA		
MFG		
APPROVED		

COMSACO, INC. NORFOLK, VA. 23502		
TITLE		
JUNCTION BOX SEAL, BLANK, 4 X 4 ENCLOSURE		
SIZE	CODE IDENT NO.	DWG NO.
C	57626	JBS-108
SCALE		REV
		A
SHEET 1 OF 1		

NEXT ASSY	USED ON
-----------	---------