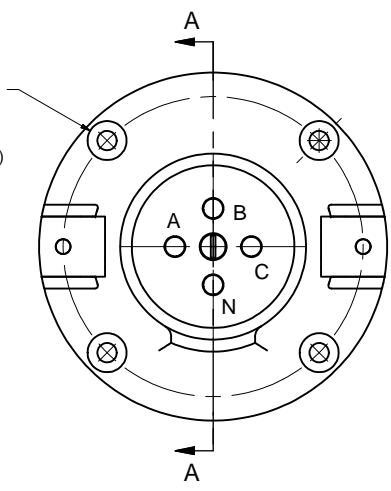
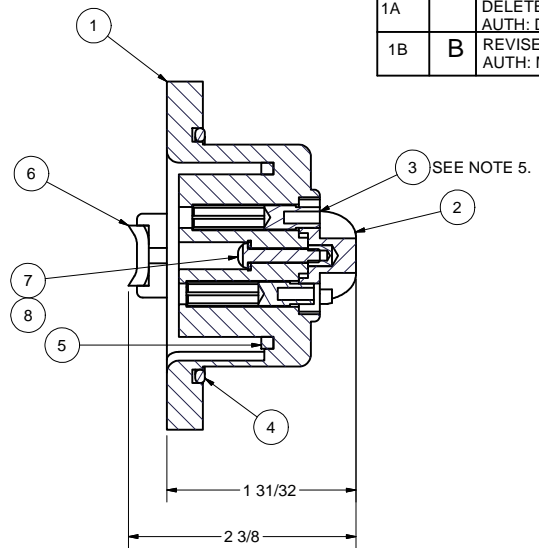


REVISIONS				
ZONE	REV	DESCRIPTION	DATE	AUTH
4A, 2B 1A 1A	A	ADDED: MARKER CALLOUT. NOTE 7. CHANGED: ITEM 8, WAS ELW. DELETED: ITEM 10. AUTH: DESIGN REQUIREMENTS.	2/9/06	AW
1B	B	REVISED: ITEM 8 WAS X-ILW-PHB-6. AUTH: MFR REQ.	9/1/09	AW

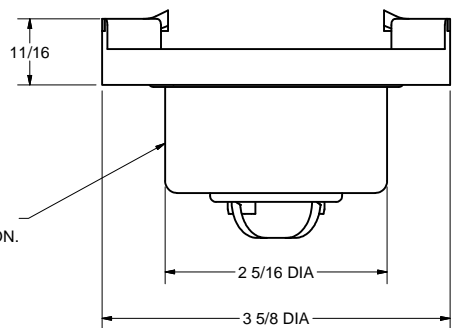
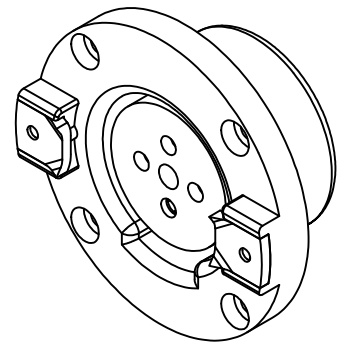
Ø13/64 THRU
 □ Ø13/32 ▽ 3/16
 4 PLACES
 (FOR 10-24 X 3/8" RHMS)



FRONT VIEW



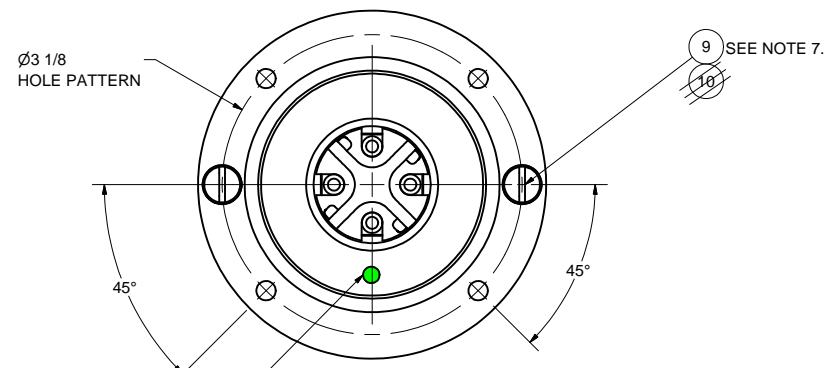
SECTION A-A



SIDE VIEW

2-11/32" THRU HOLE
 USED FOR INSTALLATION.

- NOTES:
- LUBRICATE ALL GASKETS WITH A SILICONE COMPOUND.
 - THIS DRAWING DEVELOPED FROM MIL-R-2726/9A.
 - THIS IS A WATERTIGHT RECEPTACLE PER MIL-STD-108 WHEN INSTALLED IN A SUITABLE ENCLOSURE WITH MATING PLUG M2726/3-001 OR CAP M2726/13-001 INSTALLED.
 - ELECTRICAL RATING IS 40 AMPS, 450 VAC, 60 HERTZ.
 - CONTACTS ARE SOLDER TYPE FOR 10-12AWG CONDUCTOR.
 - TOTAL WEIGHT IS APPROXIMATELY 3/4 LB.
 - INSTALL WITH SAF-T-LOK T77 PERMANENT THREADLOCK OR EQUAL.



BOTTOM VIEW

MARK WITH GREEN PERMANENT MARKER.
 TO SIGNIFY GROUND CONTACT.

Parts List				
ITEM	QTY	PART NUMBER	DESCRIPTION	
1	1	100975	RECEPTACLE BODY, PLASTIC	
2	1	100977	INSULATOR CAP, PLASTIC	
3	4	100976	CONTACT, SILVER PLATED COPPER	
4	1	MS28775-229	"O" RING GASKET, RUBBER	
5	1	100997	GASKET, PLUG SEALING, 1/8" RUBBER	
6	2	100998	RETAINER CLIP, BRASS	
7	1	X-RHM-BRS-632-875	RHMS, BRASS, 6-32 X 7/8"	
8	1	X-SLW-CRES-6	WASHER, LOCK, CRES, #6	
9	2	X-RHM-BRS-032-500	RHMS, BRASS, 10-32 X 1/2"	
10	2	X-ELW-PHB-10	WASHER, EXT TOOTH, PHOS BRZ, #10	

DRAWN	CHRIS WINDLEY	3/21/2005
CHECKED	W WESTHOFF	3/23/2005
QA		
MFG		
APPROVED		

COMSACO, INC. NORFOLK, VA. 23502		
TITLE RECEPTACLE, 4-PIN, GROUNDED, 40A, 450VAC, SYM 758.2		
SIZE	CODE IDENT NO.	DWG NO.
C	57626	404-758.2
SCALE		
		REV B
SHEET 1 OF 1		

	SYM 915.1			
	SYM 1147.2			
	SYM 758.2-KIT			
NEXT ASSY	USED ON			

UNLESS OTHERWISE SPECIFIED
 DIMENSIONS ARE IN INCHES
 TOLERANCES ARE:
 FRACTIONS DECIMALS ANGLES
 +/- 1/64 .XX .005 1/2'

