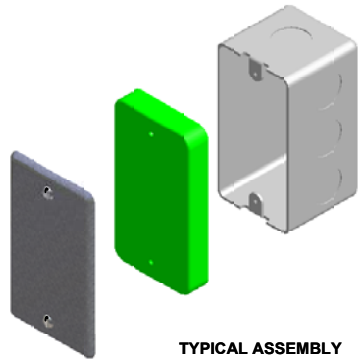


| REVISIONS | | | | |
|-----------|-----|--------------------------------------|---------|------|
| ZONE | REV | DESCRIPTION | DATE | AUTH |
| 1A | A | ADDED: PATENT #, -2 CODE (ALUMINUM). | 1/27/10 | WW |
| 1C | | | | |



TYPICAL ASSEMBLY



(2) SCREWS, PHM, CRES, 6-32 X 1/2" PROVIDED WITH COVER.

P/N JBS-107-01-1 SHOWN

A COMPLETE KIT CONSISTS OF SEAL, COVER AND COVER SCREWS.

TABLE

| PART NUMBER JBS-107-01-X | |
|-------------------------------|--------------------|
| COVER STYLE, MAT'L, COLOR (X) | |
| CODE | DESCRIPTION |
| -1 | CRES, BRUSHED |
| -2 | ALUMINUM, ANODIZED |
| | |
| | |

Part number for a complete kit consists of:
JBS-107 = Basic configuration, blank seal for 2x4 box.
-01 = Blank 2x4 seal.
-X = Cover style.

Seal and cover may be ordered separately using the above coding system and table by using the "X" characters for parts to be omitted.

NOTES:

- USE OF THE ENVIRONMENTAL SEAL PROVIDES PROTECTION AGAINST THE ENTRY OF DUST(DUST-PROTECTED) AND SPLASHING WATER (ANSI/IEC 60529-2004, IP54) WHEN USED WITH A 2X4 "HANDY BOX" PER W-J-800(A-A-59214) TYPE III.
- INSTALLING ACTIVITIES ARE RESPONSIBLE FOR SEALING CABLE ENTRY, UNUSED KNOCKOUTS AND MOUNTING PROVISIONS IN THE BOX.
- INSTALLATION INSTRUCTIONS:
 - INSTALL THE SEAL ONTO THE BOX MAKING SURE IT IS SEATED PROPERLY.
 - INSTALL THE COVER SECURELY USING THE SCREWS PROVIDED WITH COVER.
 - CHECK FOR PROPER SEAL AND FIT.
- STANDARD COMMERCIALY AVAILABLE COVERS ARE NOT COMPATIBLE WITH THE SEAL DUE TO SIZE AND/OR CLEARANCE REQUIRED FOR THE FACE OF THE SEAL.

SEAL PATENT#, 7,484,973.

| | | | |
|---|------------------------|-----------|---|
| THIS DRAWING/DOCUMENT CONTAINS INFORMATION WHICH IS PROPRIETARY TO AND PROPERTY OF COMSACO, INC. IT IS DISTRIBUTED WITH THE UNDERSTANDING THAT IT WILL BE RETAINED IN CONFIDENCE AND WILL NEITHER BE DUPLICATED NOR COPIED IN WHOLE OR IN PART NOR USED FOR ANY PURPOSE OTHER THAN THAT FOR WHICH DISCLOSED WITHOUT EXPRESS WRITTEN PERMISSION FROM COMSACO, INC. | DRAWN CHRIS WINDLEY | 1/30/2008 | COMSACO, INC. NORFOLK, VA. 23502 |
| | CHECKED W WESTHOFF | 3/11/2008 | |
| UNLESS OTHERWISE SPECIFIED DIMENSIONS ARE IN INCHES TOLERANCES ARE: FRACTIONS DECIMALS ANGLES | MFG | | TITLE JUNCTION BOX SEAL, BLANK, 2 X 4 ENCLOSURE |
| | APPROVED | | SIZE CODE IDENT NO DWG NO C 57626 JBS-107 |
| | | | REV A |
| | | | SCALE |
| | | | SHEET 1 OF 1 |

| | |
|-----------|---------|
| NEXT ASSY | USED ON |
|-----------|---------|